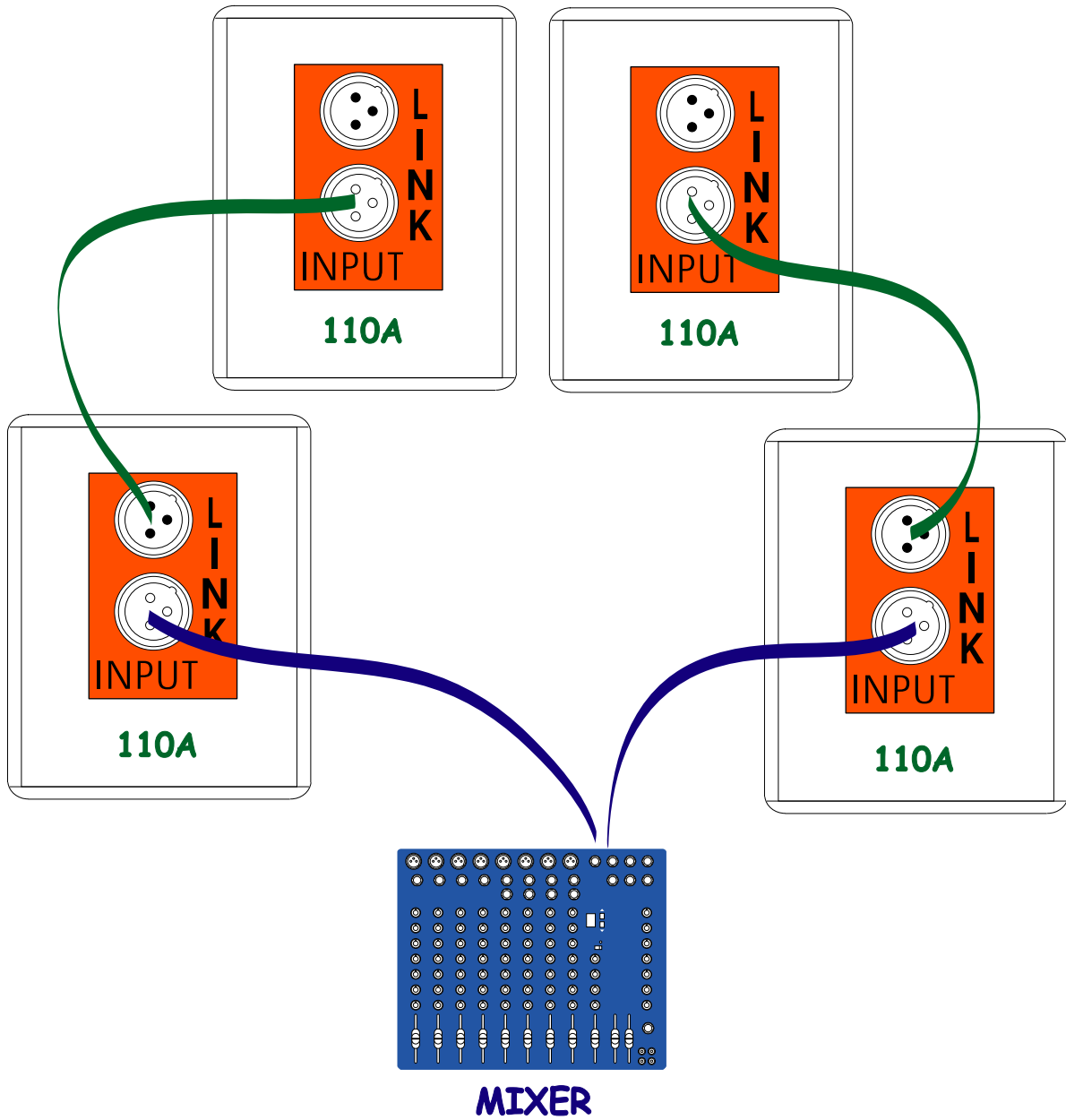




Parallel connection of two or more 110A

always use balanced shielded cables

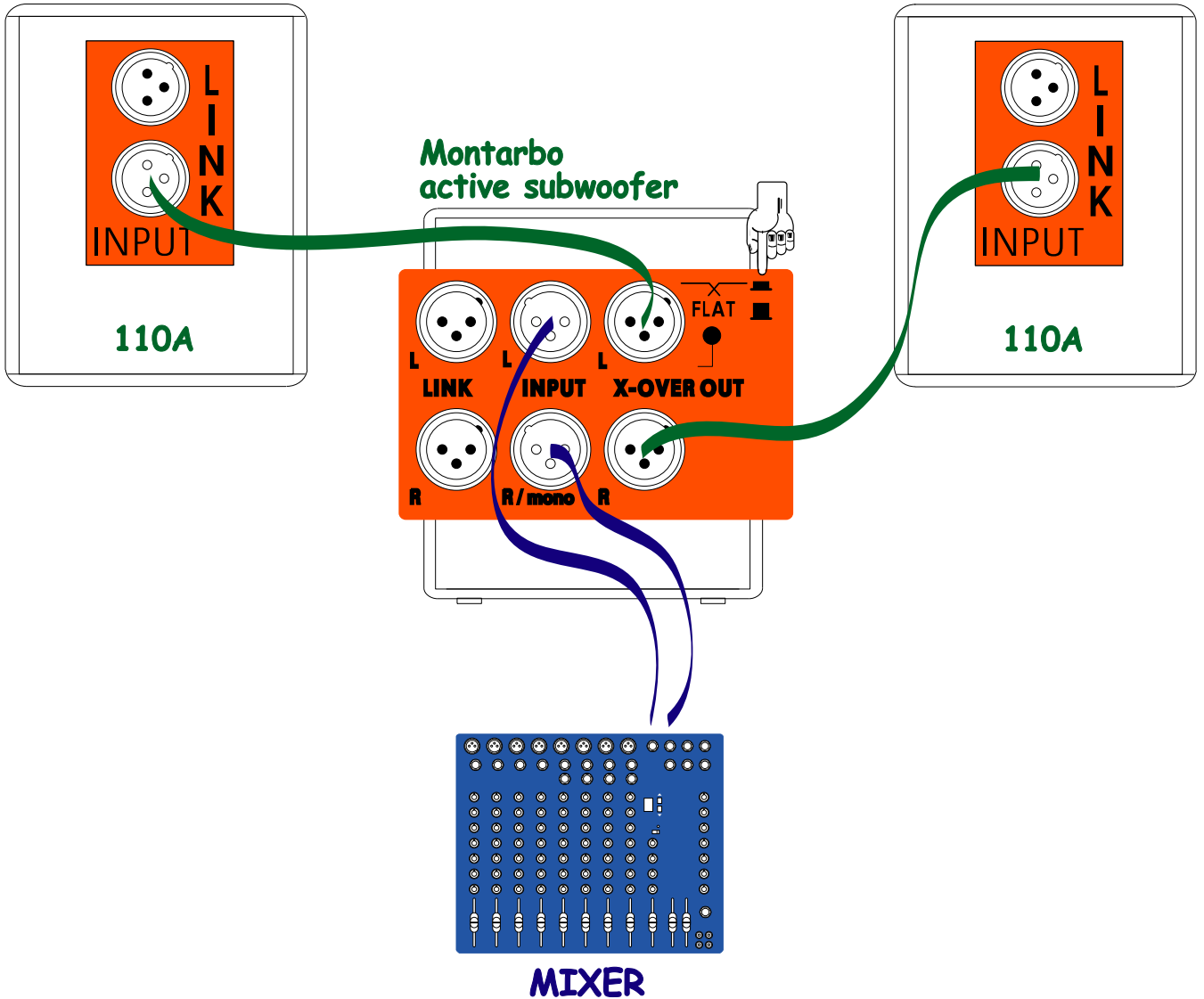


MIXER L/R OUTPUTS 110A INPUTS
 110A OUTPUTS INPUTS of other 110A



Two 110A + one active subwoofer

always use balanced shielded cables

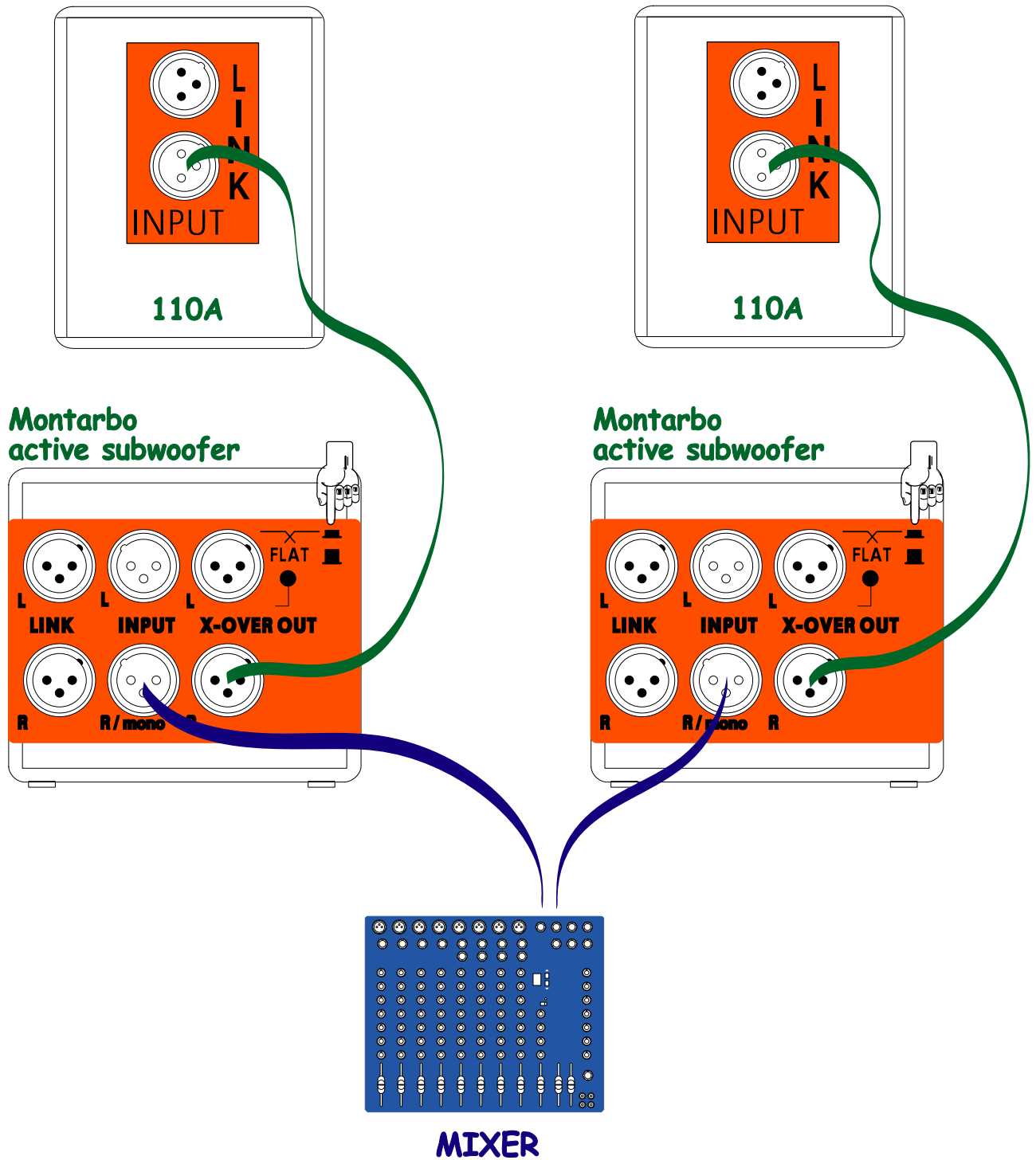


MIXER L/R OUTPUTS → SUBWOOFER L/R INPUTS
 SUBWOOFER L/R X-over OUTPUTS → 110A INPUTS



Two 110A + two active subwoofers

always use balanced shielded cables



MIXER L/R OUTPUTS → SUBWOOFERS 'R/mono' INPUTS
 SUBWOOFERS 'R' X-over OUTPUTS → 110A INPUTS