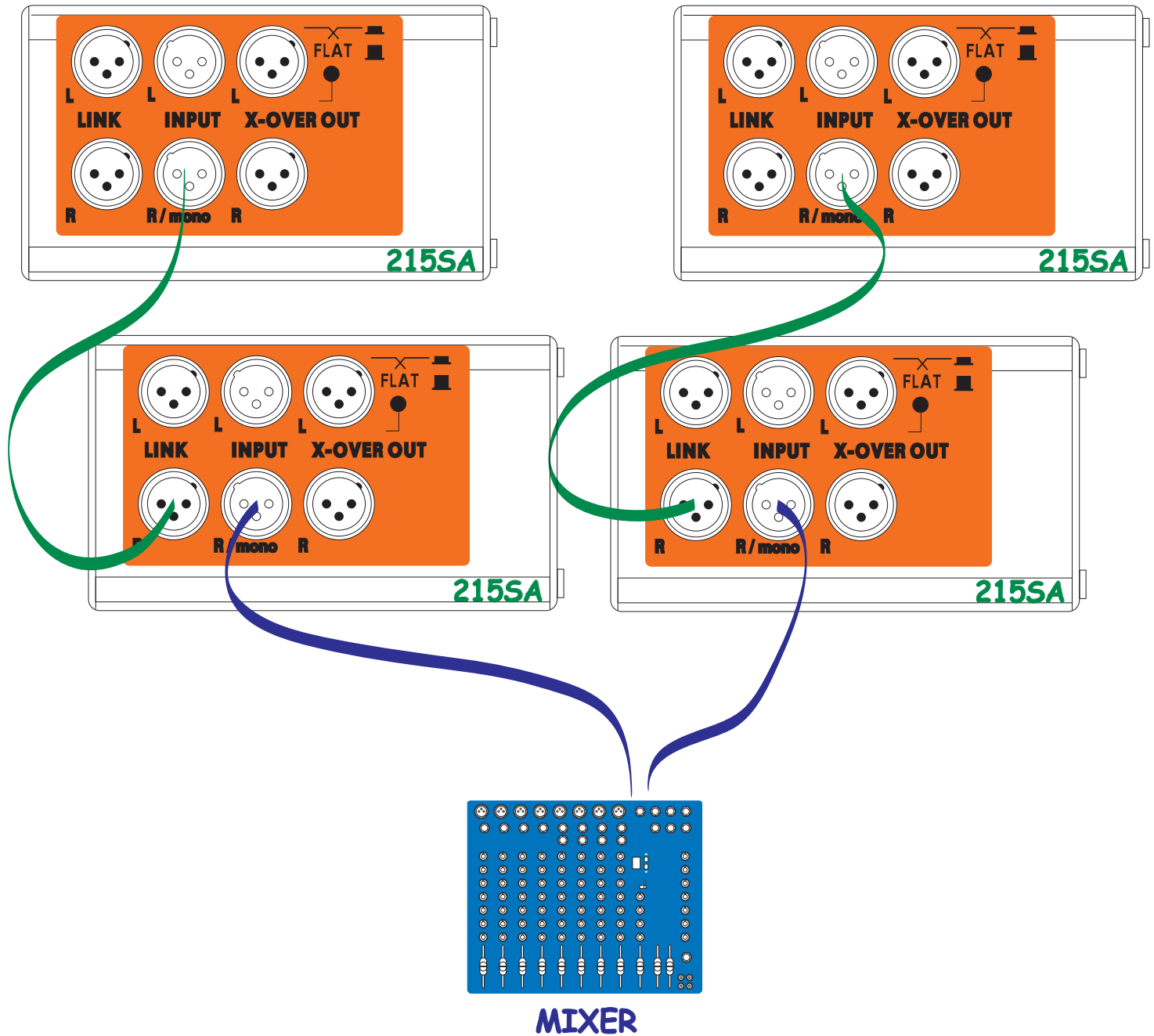




Parallel connection of two or more 215SA

always use balanced shielded cables



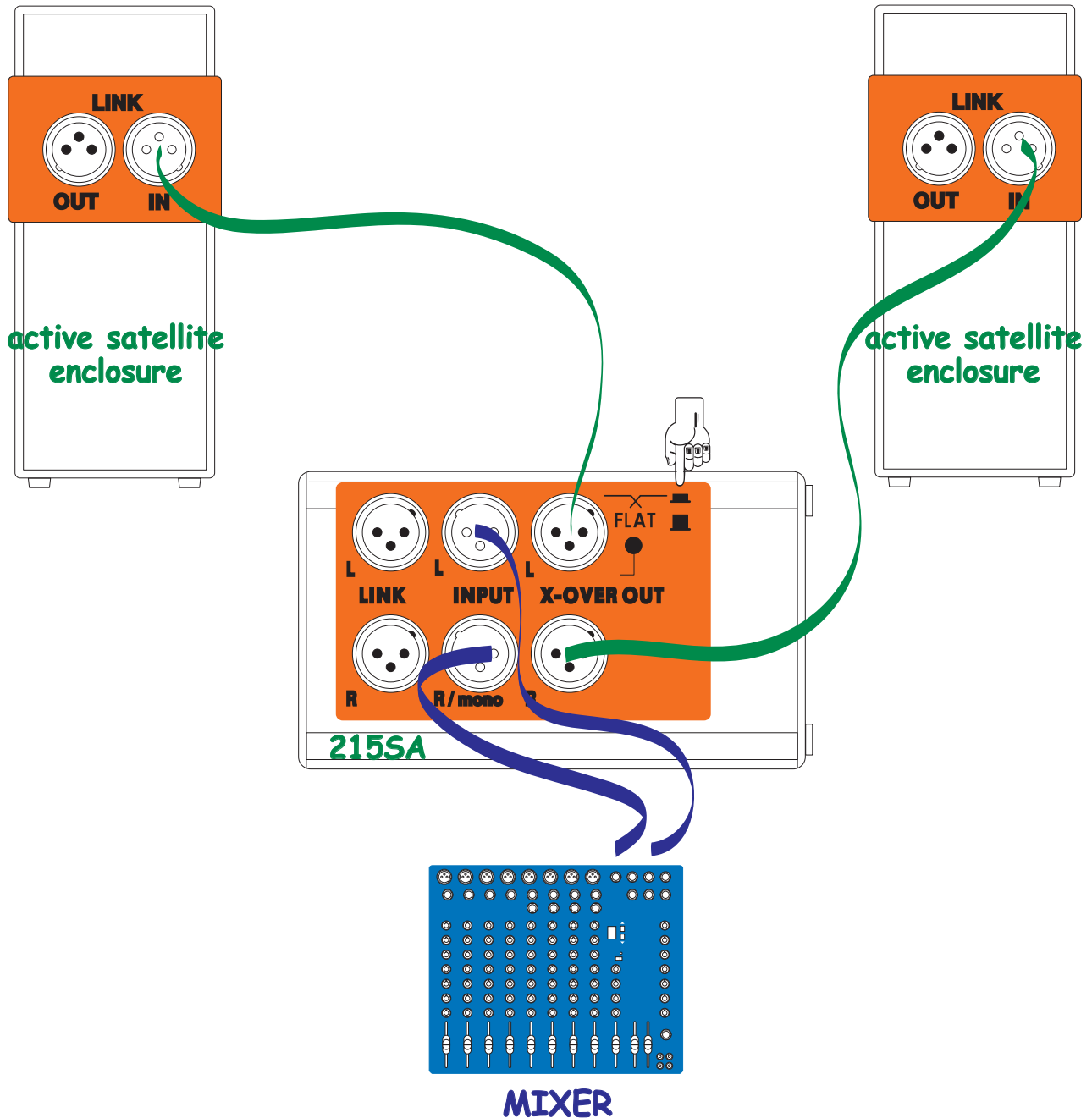
MIXER L/R OUTPUTS → 215SA 'R/mono' INPUTS
 215SA 'R' Link OUTPUTS → 'R/mono' INPUTS of other 215SA



One 215SA + two satellite enclosures

always use balanced shielded cables

215SA: button pushed X-OVER mode



MIXER L/R OUTPUTS → 215SA L/R INPUTS

215SA 'L' X-over OUTPUT → SATELLITE ENCLOSURE INPUT

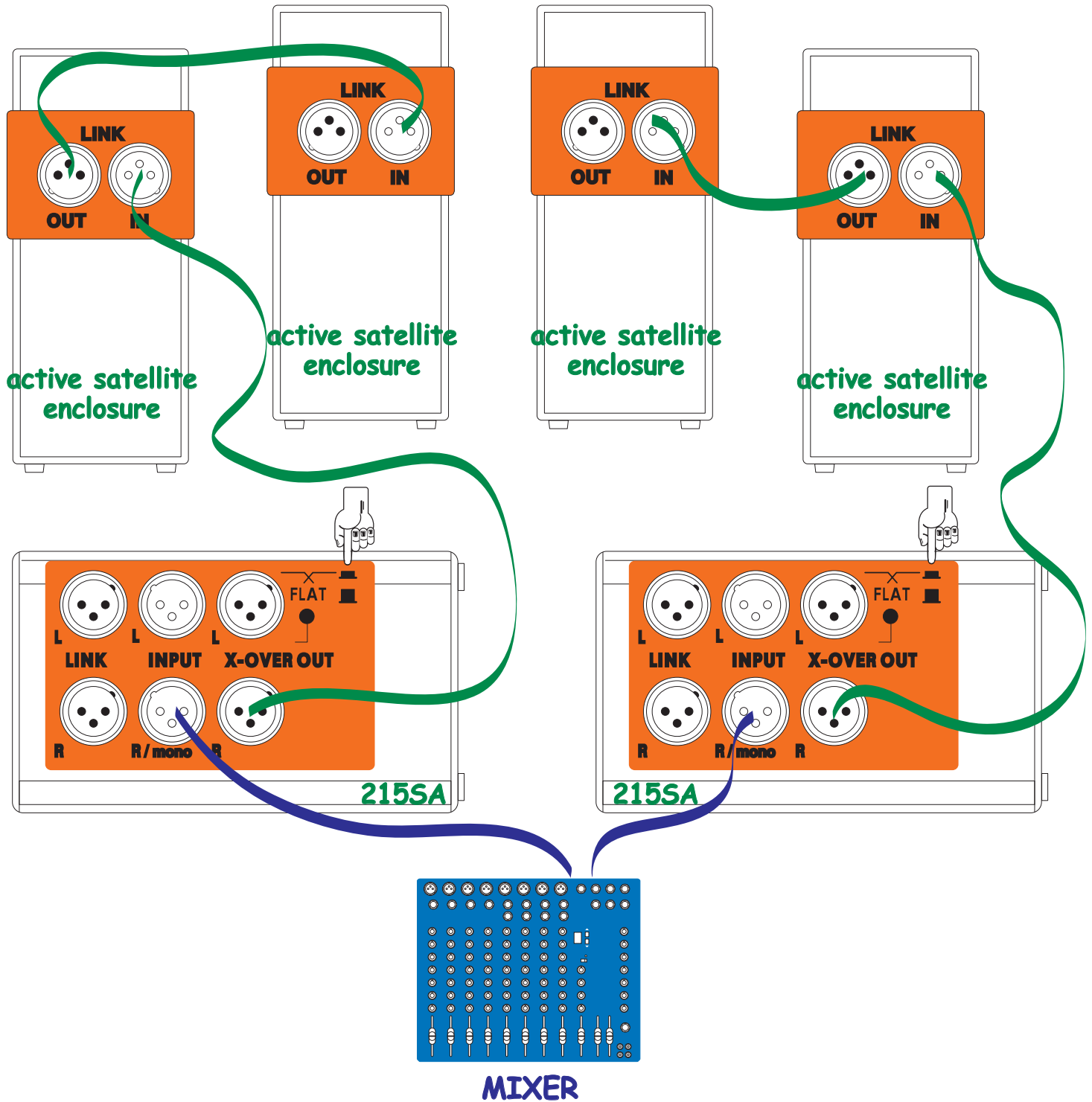
215SA 'R' X-over OUTPUT → SATELLITE ENCLOSURE INPUT



Two 215SA + two or more satellites

always use balanced shielded cables

215SA: button pushed X-OVER mode



MIXER L/R OUTPUTS → 215SA 'R/mono' INPUTS

215SA 'R' X-over OUTPUTS → SATELLITE ENCLOSURES INPUTS