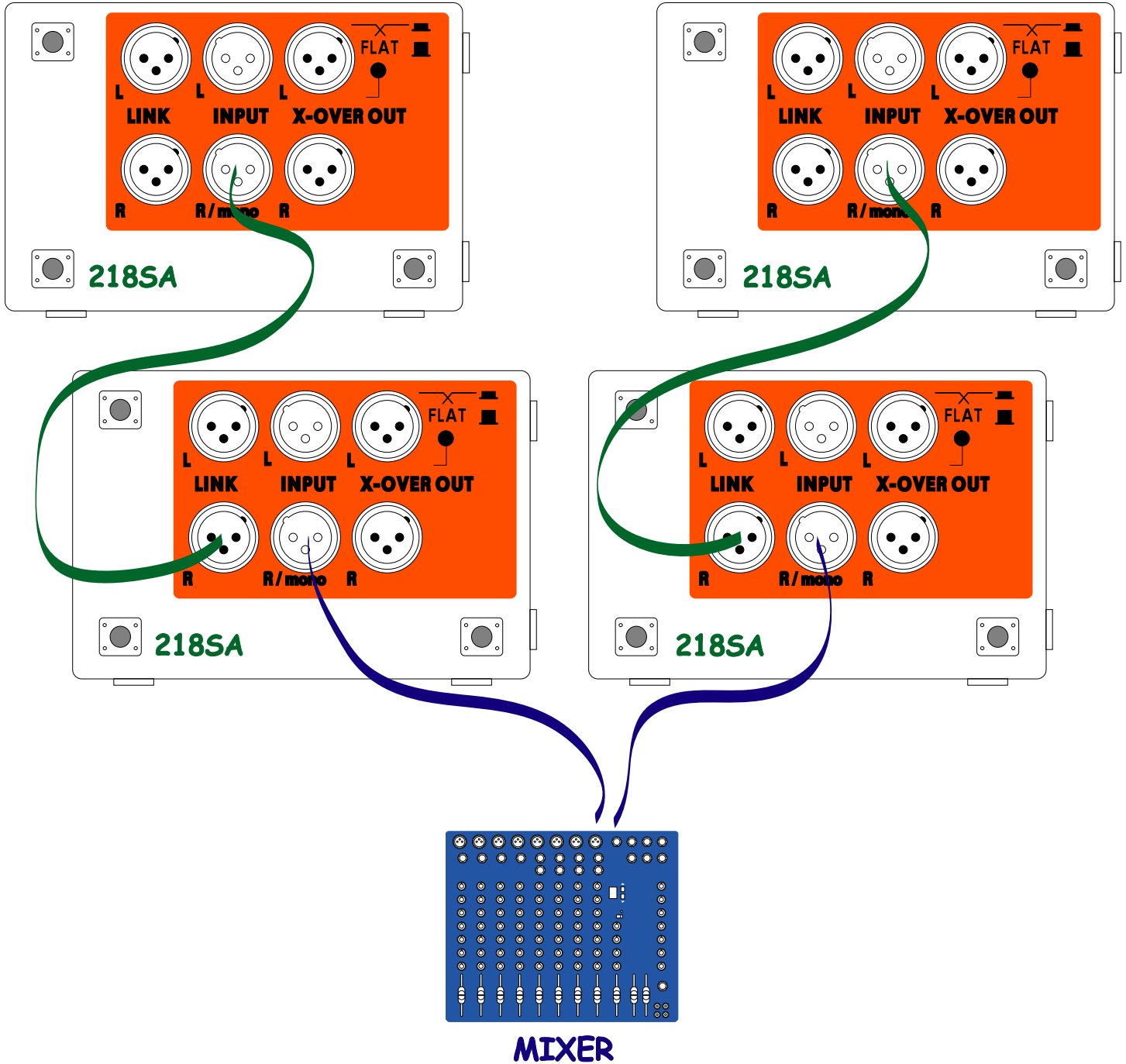




Parallel connection of two or more 218SA

always use balanced shielded cables



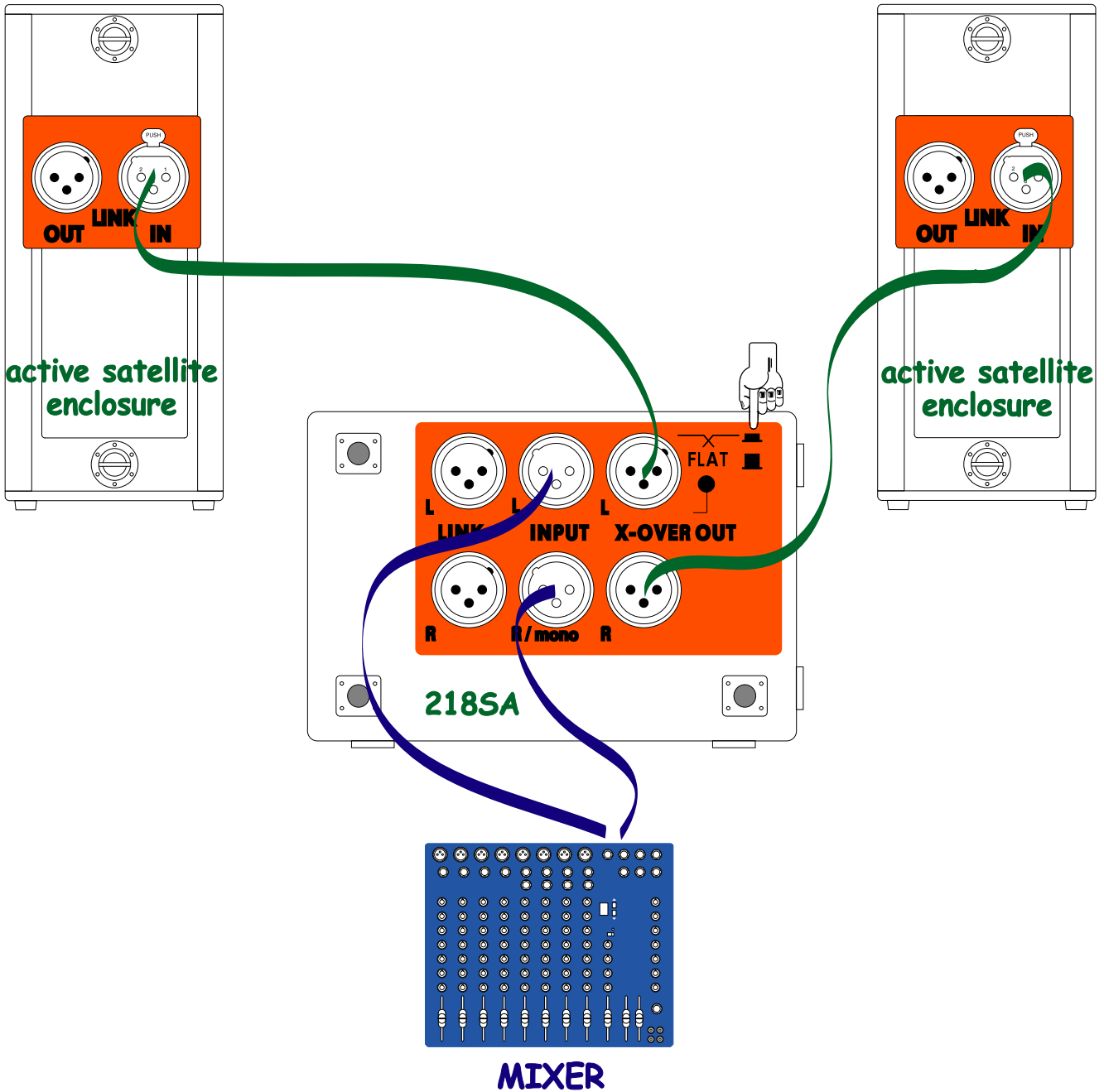
MIXER L/R OUTPUTS → 218SA 'R/mono' INPUTS
 218SA 'R' Link OUTPUTS → 'R/mono' INPUTS of other 218SA



One 218SA + two satellite enclosures

always use balanced shielded cables

218SA: button pushed X-OVER mode



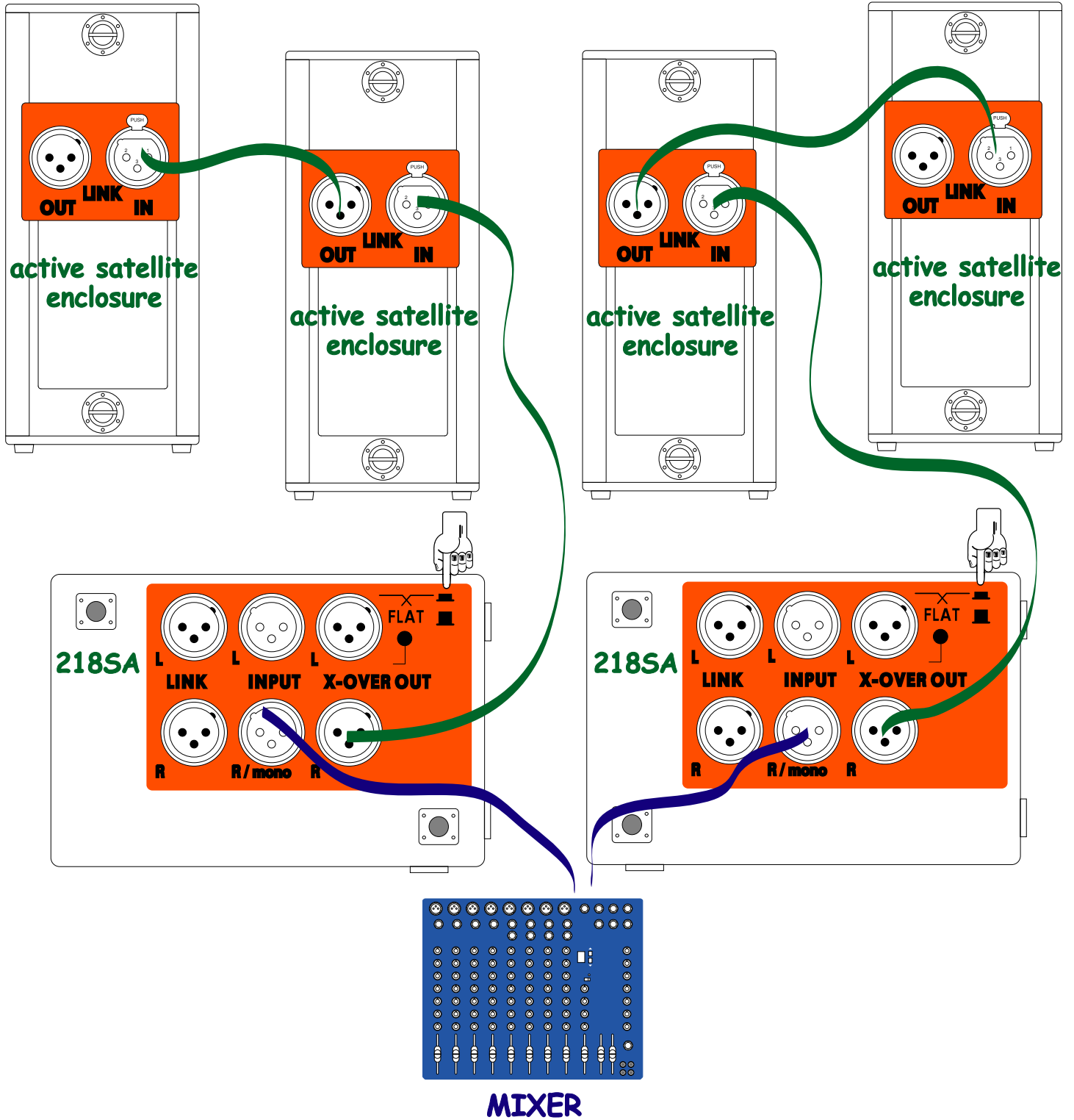
- MIXER L/R OUTPUTS → 218SA L/R INPUTS
- 218SA 'L' X-over OUTPUT → SATELLITE ENCLOSURE INPUT
- 218SA 'R' X-over OUTPUT → SATELLITE ENCLOSURE INPUT



Two 218SA + two or more satellites

always use balanced shielded cables

218SA: button pushed X-OVER mode



MIXER L/R OUTPUTS → 218SA 'R/mono' INPUTS

218SA 'R' X-over OUTPUTS → SATELLITE ENCLOSURES INPUTS