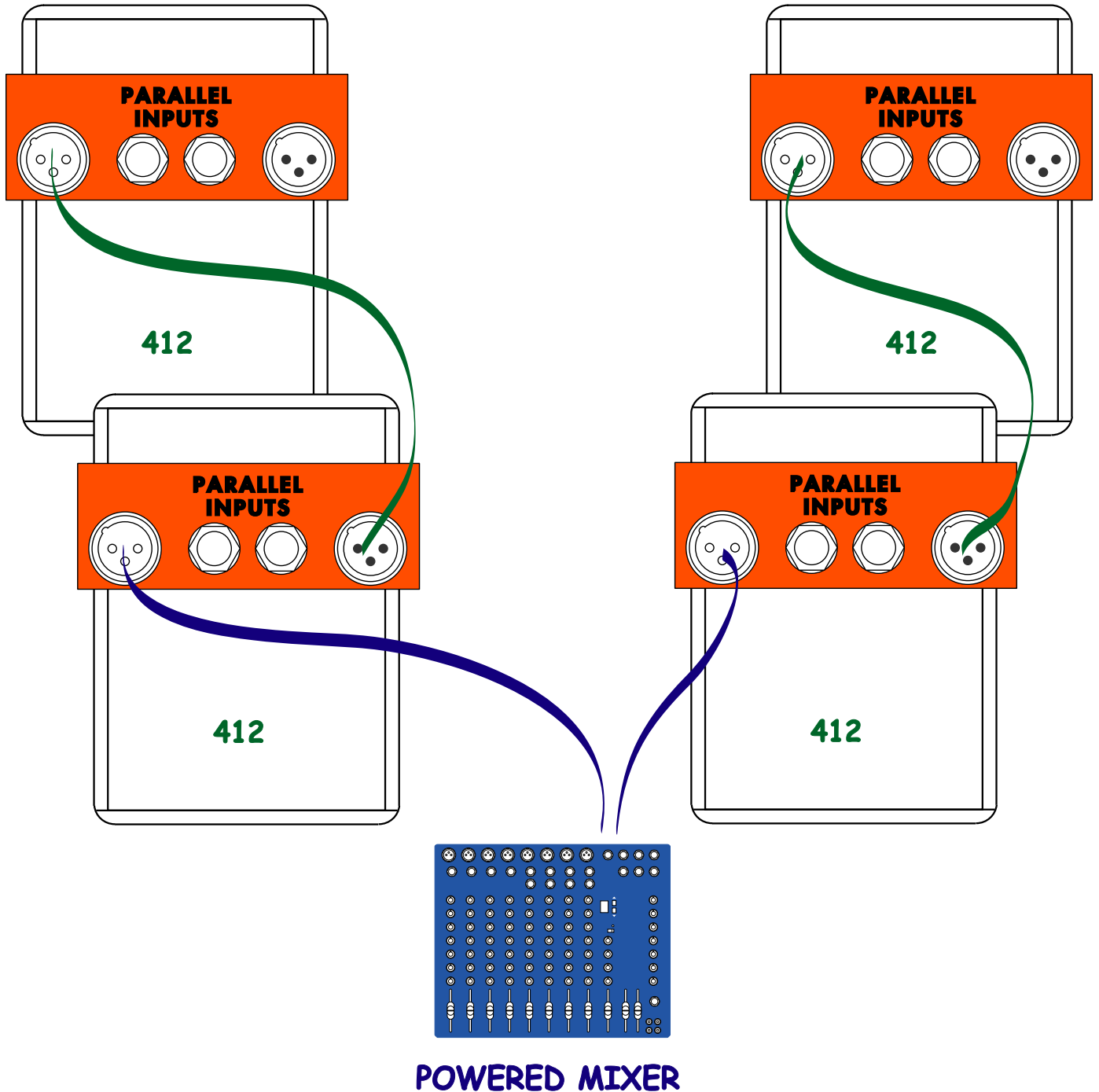




# Parallel connection of two or more 412

use only loudspeaker cables (unscreened)

use either Jack or XLR connectors



MIXER L/R POWERED OUTPUTS → 412 INPUTS  
 412 INPUTS → INPUTS of other 412

