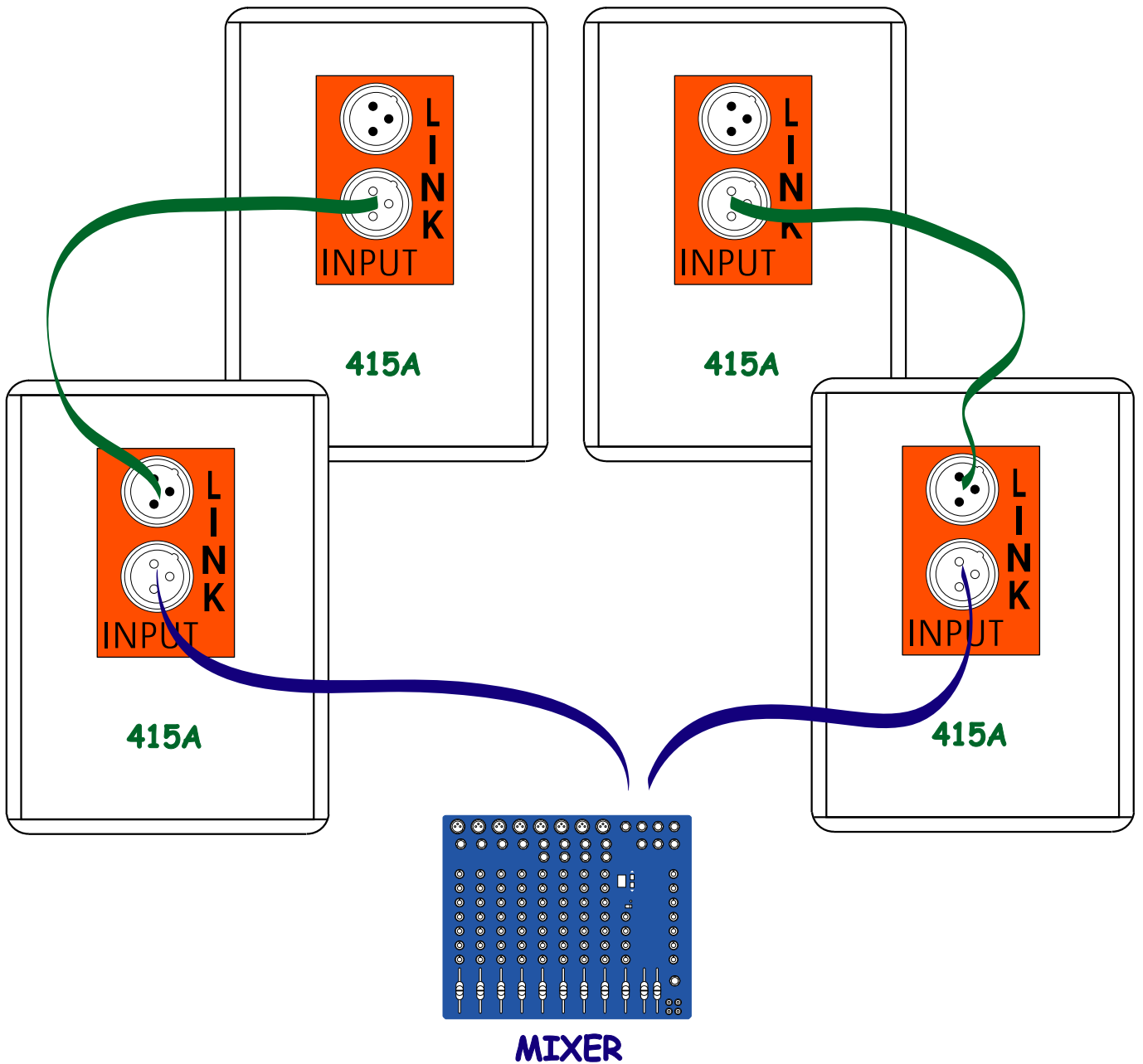




Parallel connection of two or more 415A

always use balanced shielded cables



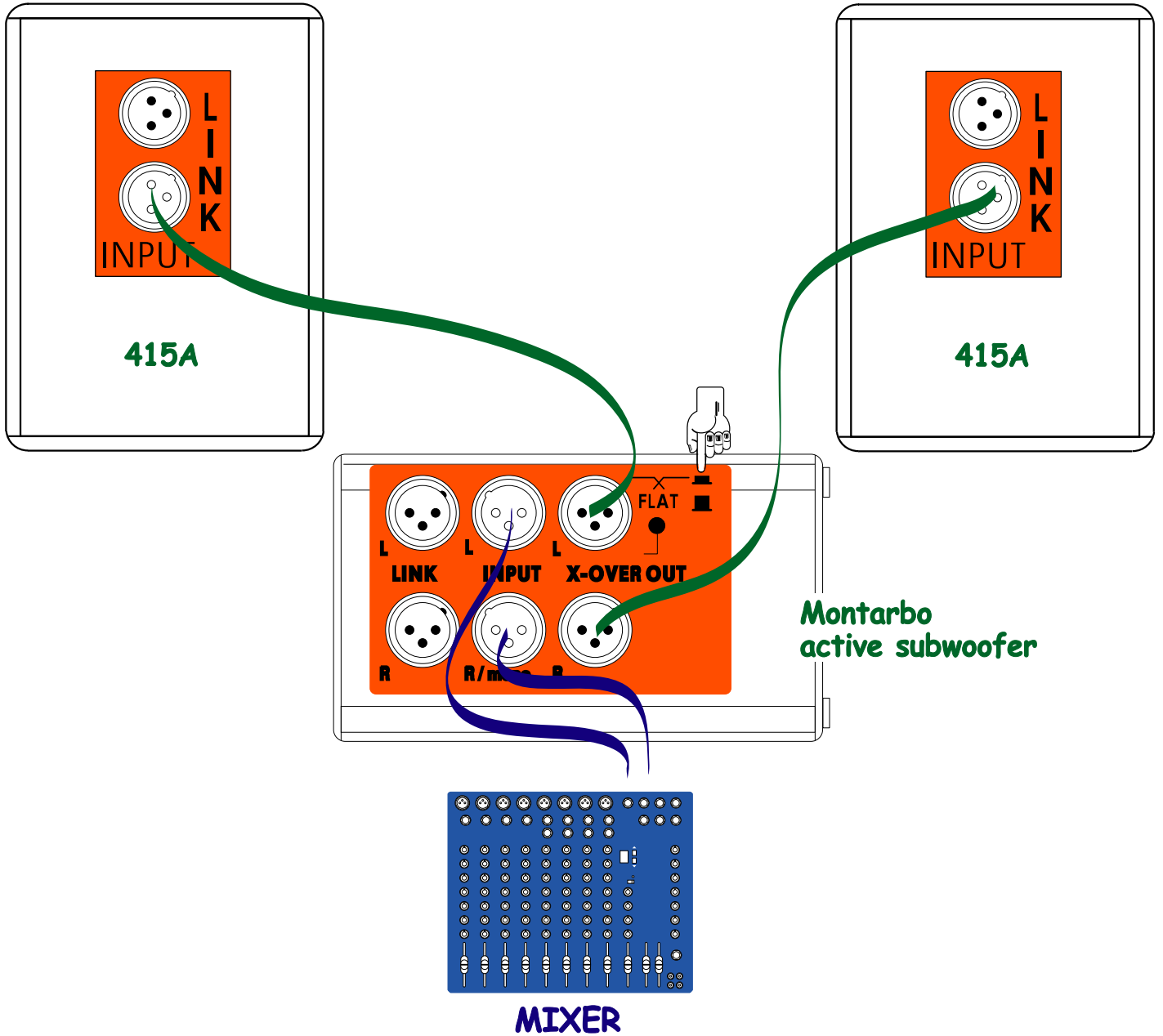
MIXER L/R OUTPUTS → 415A INPUTS

415A OUTPUTS → INPUTS of other 415A



Two 415A + one active subwoofer

always use balanced shielded cables

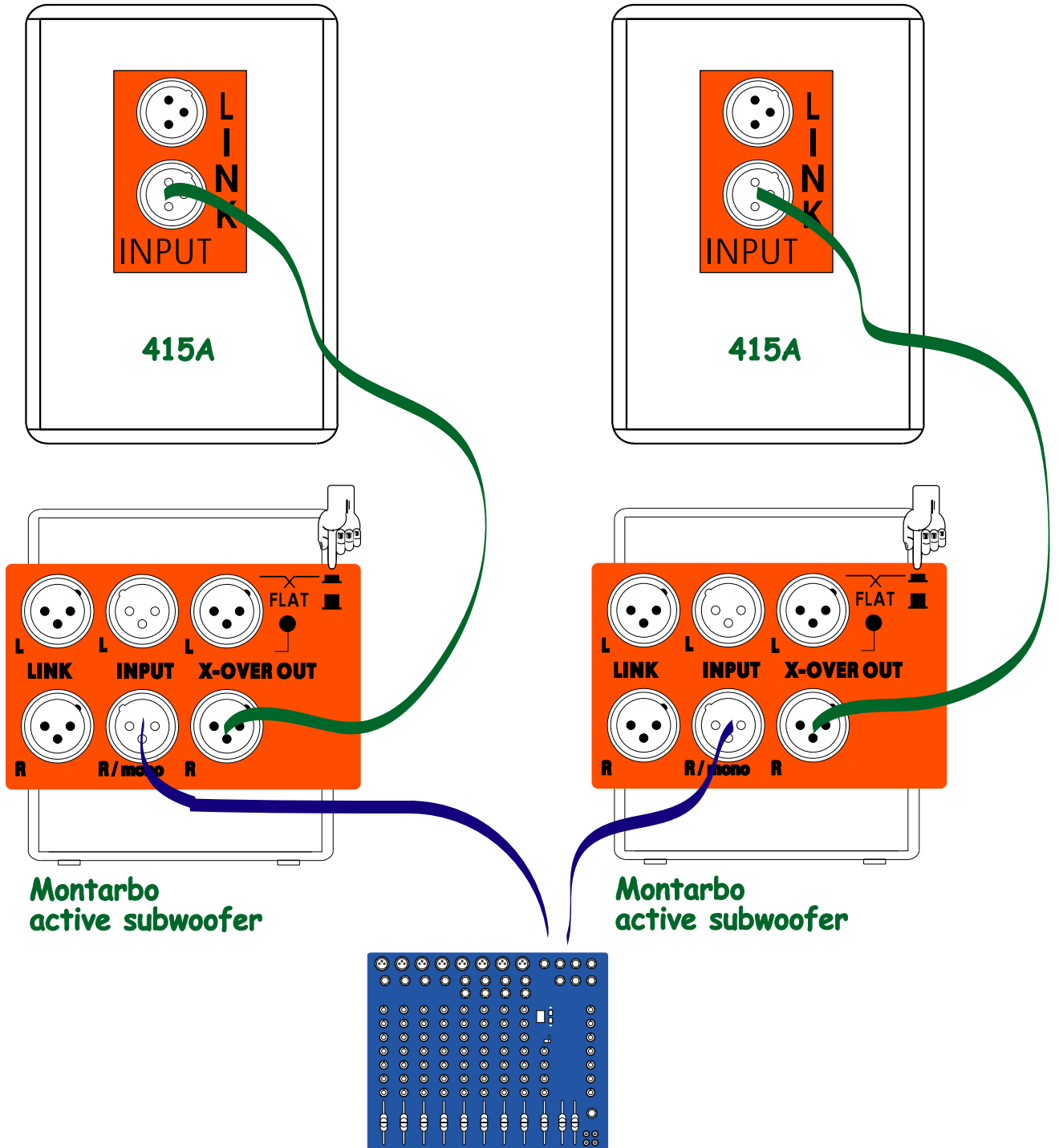


MIXER L/R OUTPUTS → SUBWOOFER L/R INPUTS
 SUBWOOFER L/R X-over OUTPUTS → 415A INPUTS



Two 415A + two active subwoofers

always use balanced shielded cables



MIXER L/R OUTPUTS → SUBWOOFERS 'R/mono' INPUTS
 SUBWOOFERS 'R' X-over OUTPUTS → 415A INPUTS