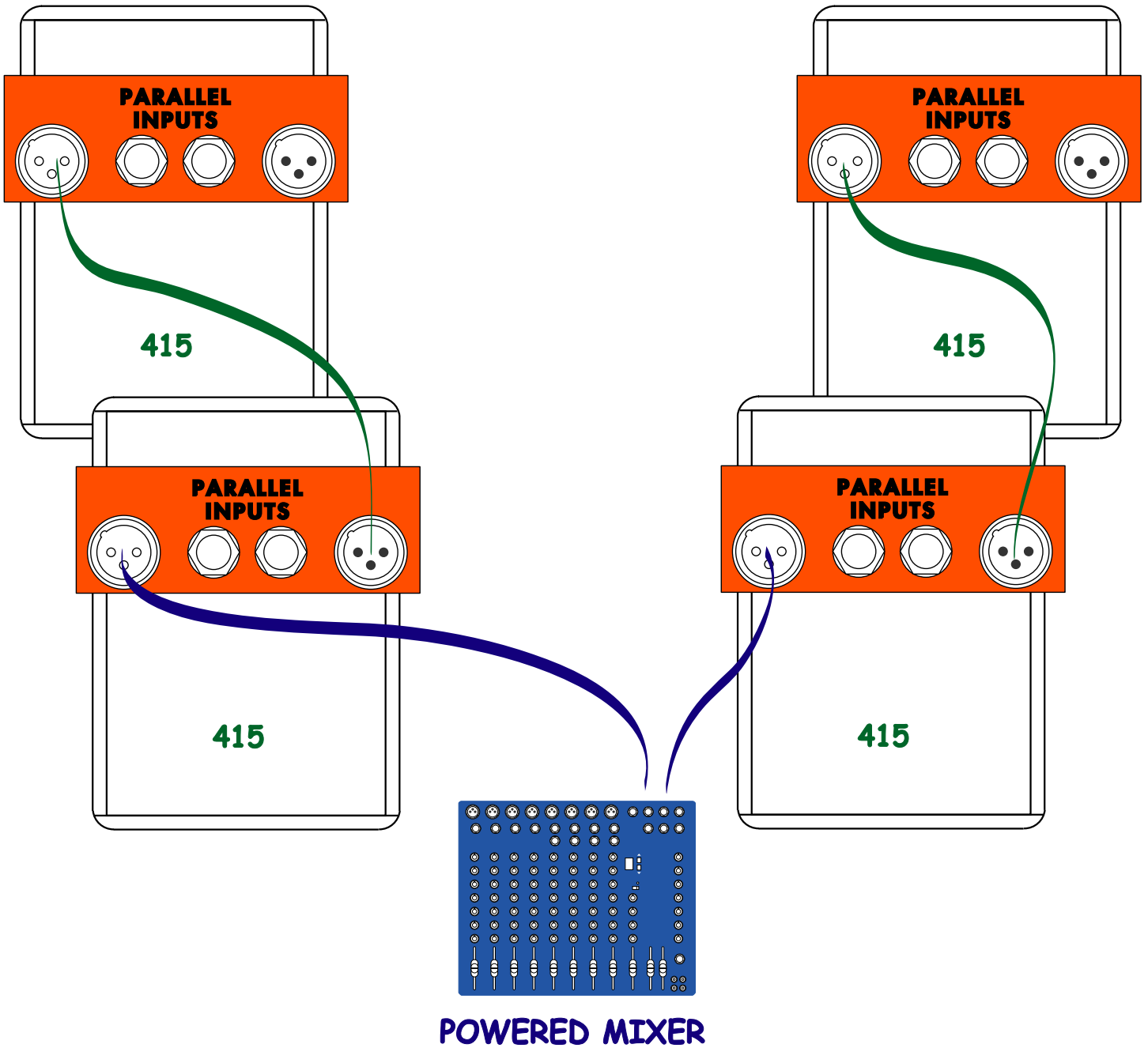




# Parallel connection of two or more 415

use only loudspeaker cables (unscreened)

use either Jack or XLR connectors



MIXER L/R POWERED OUTPUTS → 415 INPUTS  
 415 INPUTS → INPUTS of other 415

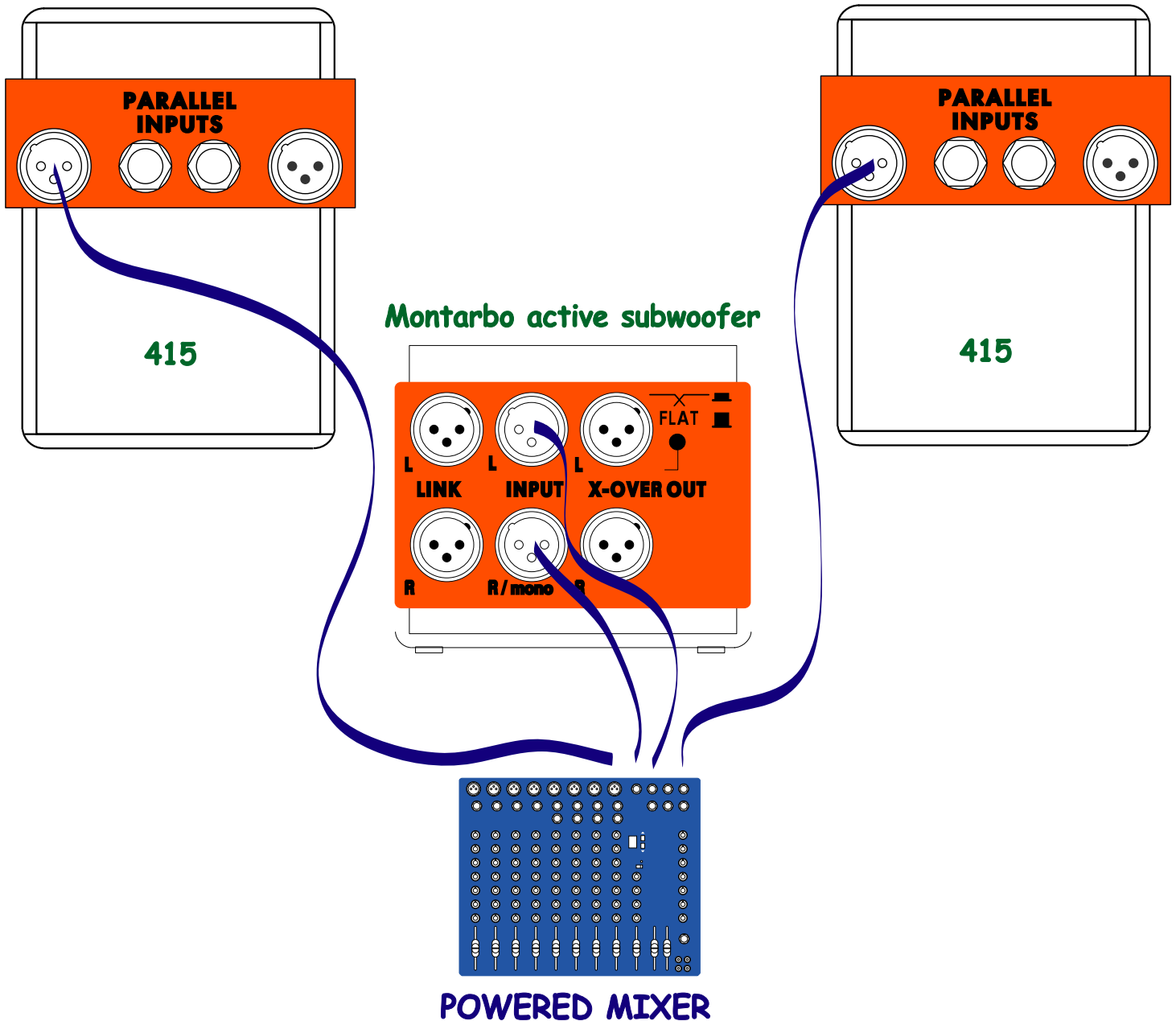


# Two 415 + one active subwoofer

for the connection to the 415 use only loudspeaker cables (unscreened)

for the connection to the subwoofer always use balanced shielded cables

415: use either Jack or XLR connectors



MIXER L/R POWERED OUTPUTS → 415 INPUTS

MIXER L/R NON POWERED OUTPUTS (insert out) → ACTIVE SUBWOOFER INPUTS