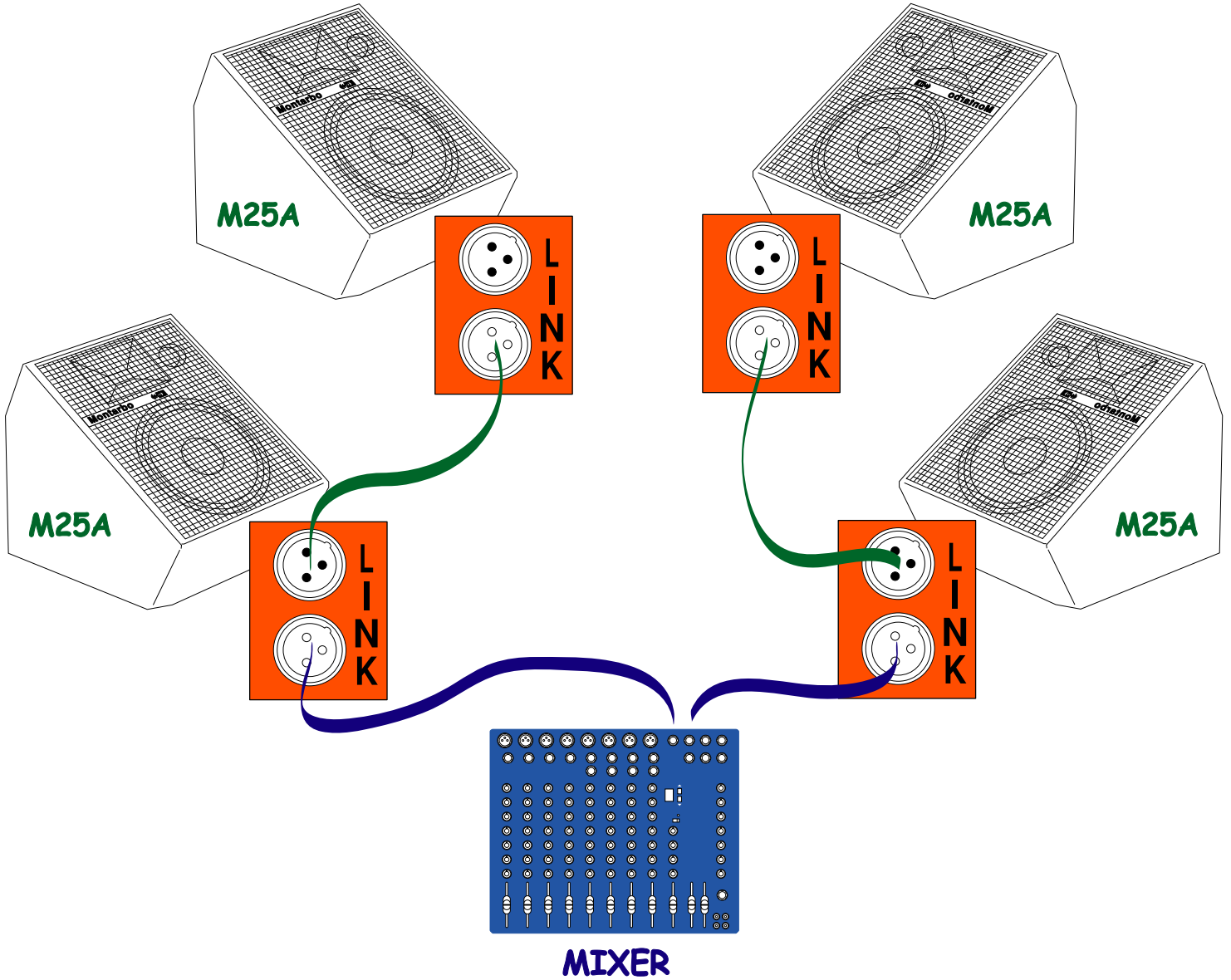




Parallel connection of two or more M25A

always use balanced shielded cables



MIXER MONITOR OUTPUTS → M25A INPUTS
 M25A OUTPUTS → INPUTS of other M25A