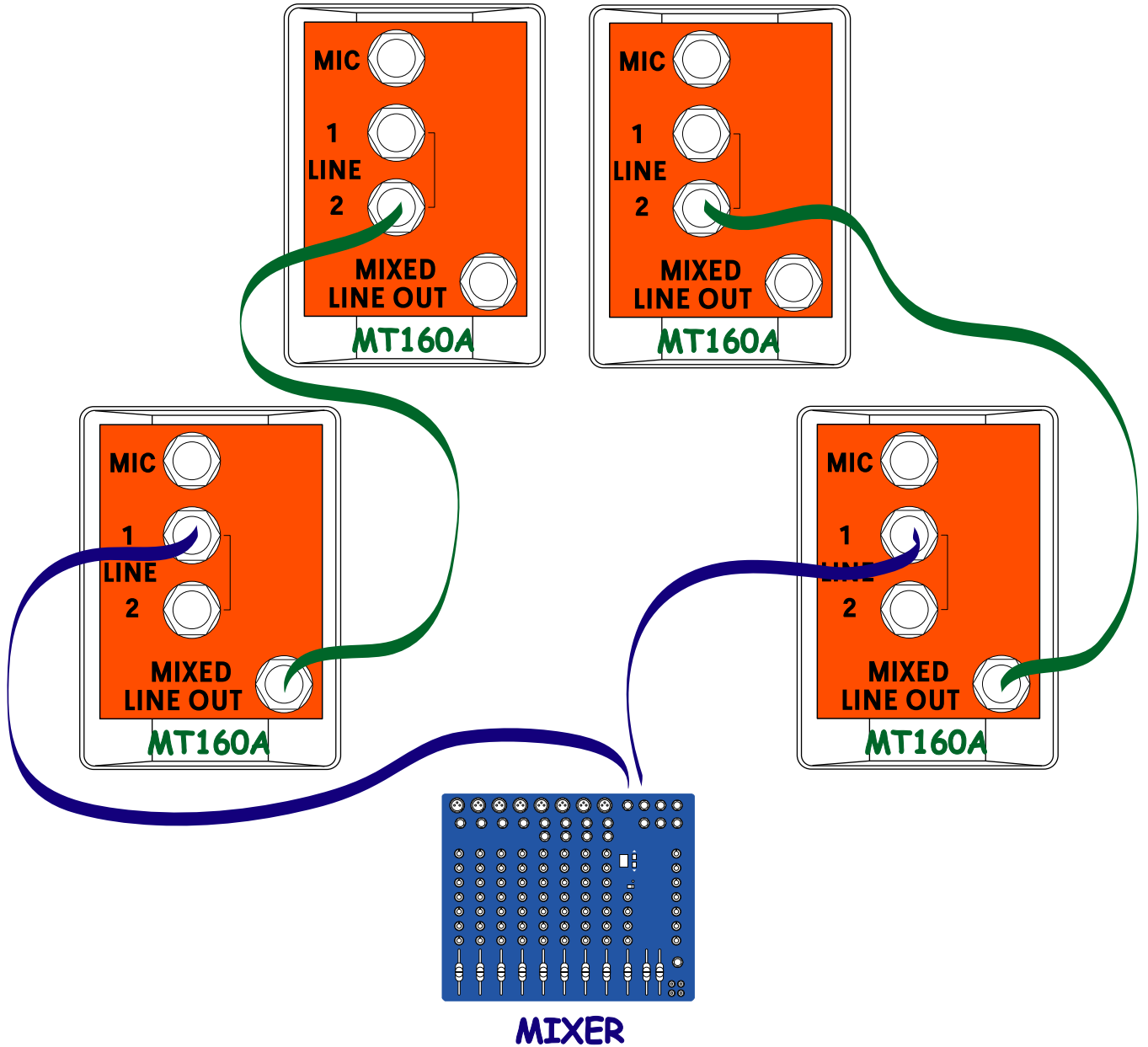




Parallel connection of two or more MT160A

always use shielded cables

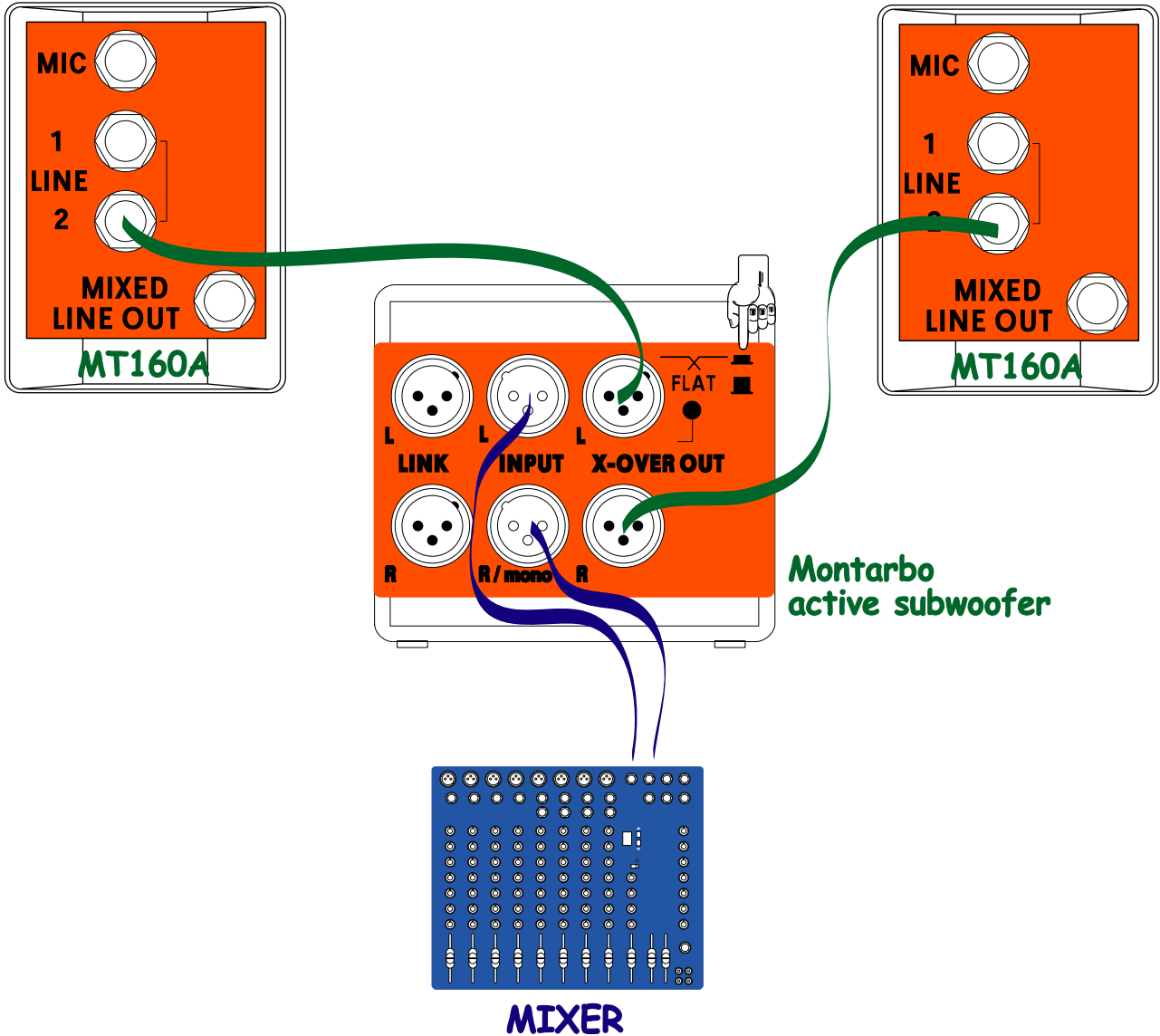


MIXER L/R OUTPUTS → MT160A 'Line' (1 or 2) INPUTS
 MT160A 'Line out' → 'Line' (1 or 2) INPUTS of other MT160A



Two MT160A + one active subwoofer

always use shielded cables



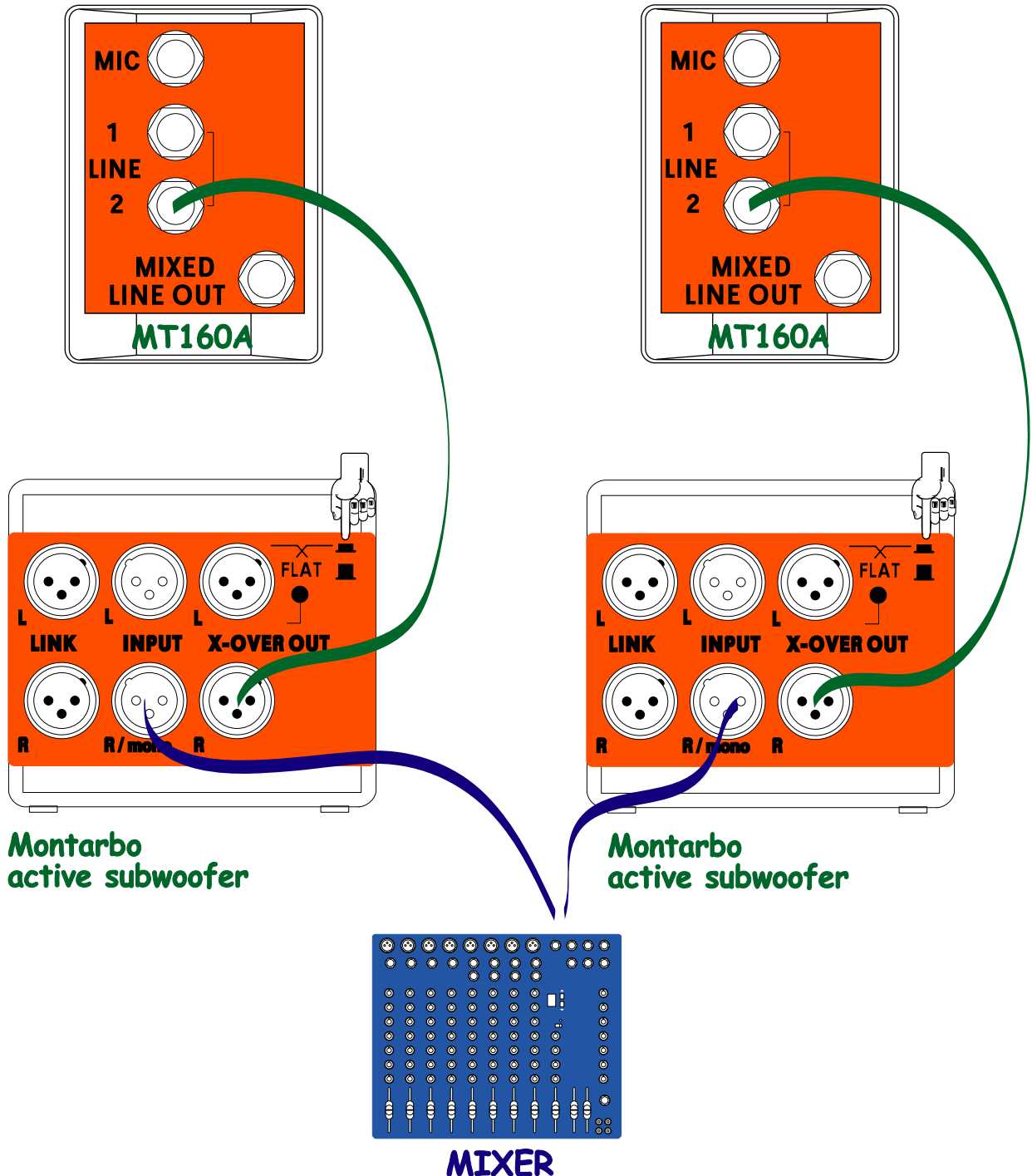
MIXER L/R OUTPUTS → SUBWOOFER L/R INPUTS

SUBWOOFER L/R X-over OUTPUTS → MT160A 'Line' (1 or 2) INPUTS



Two MT160A + two active subwoofers

always use shielded cables



MIXER L/R OUTPUTS → SUBWOOFERS 'R/mono' INPUTS
 SUBWOOFERS 'R' X-over OUTPUTS → MT160A 'Line' (1 or 2) INPUTS