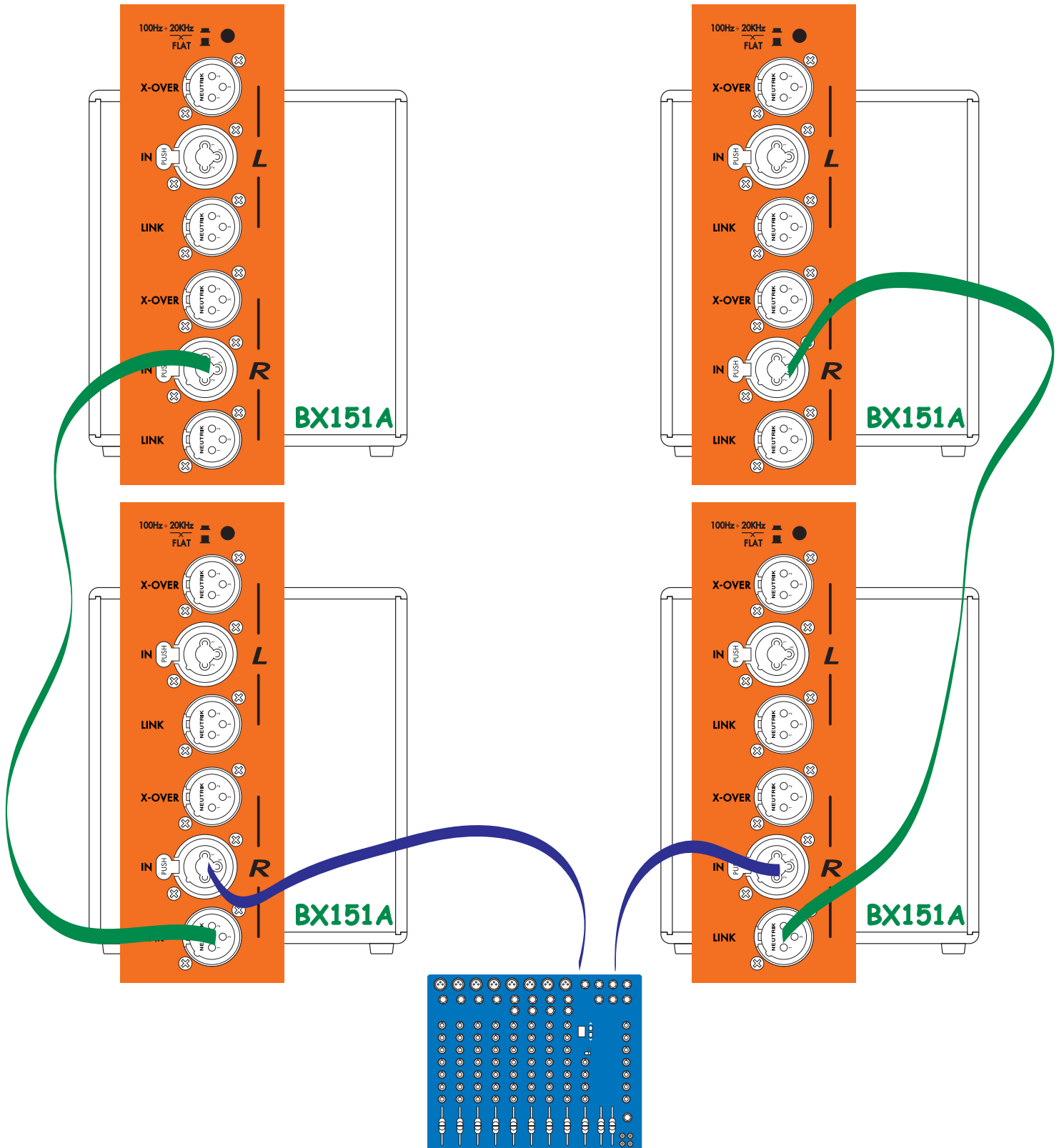




Parallel connection of two or more BX151A

always use balanced shielded cables



MIXER

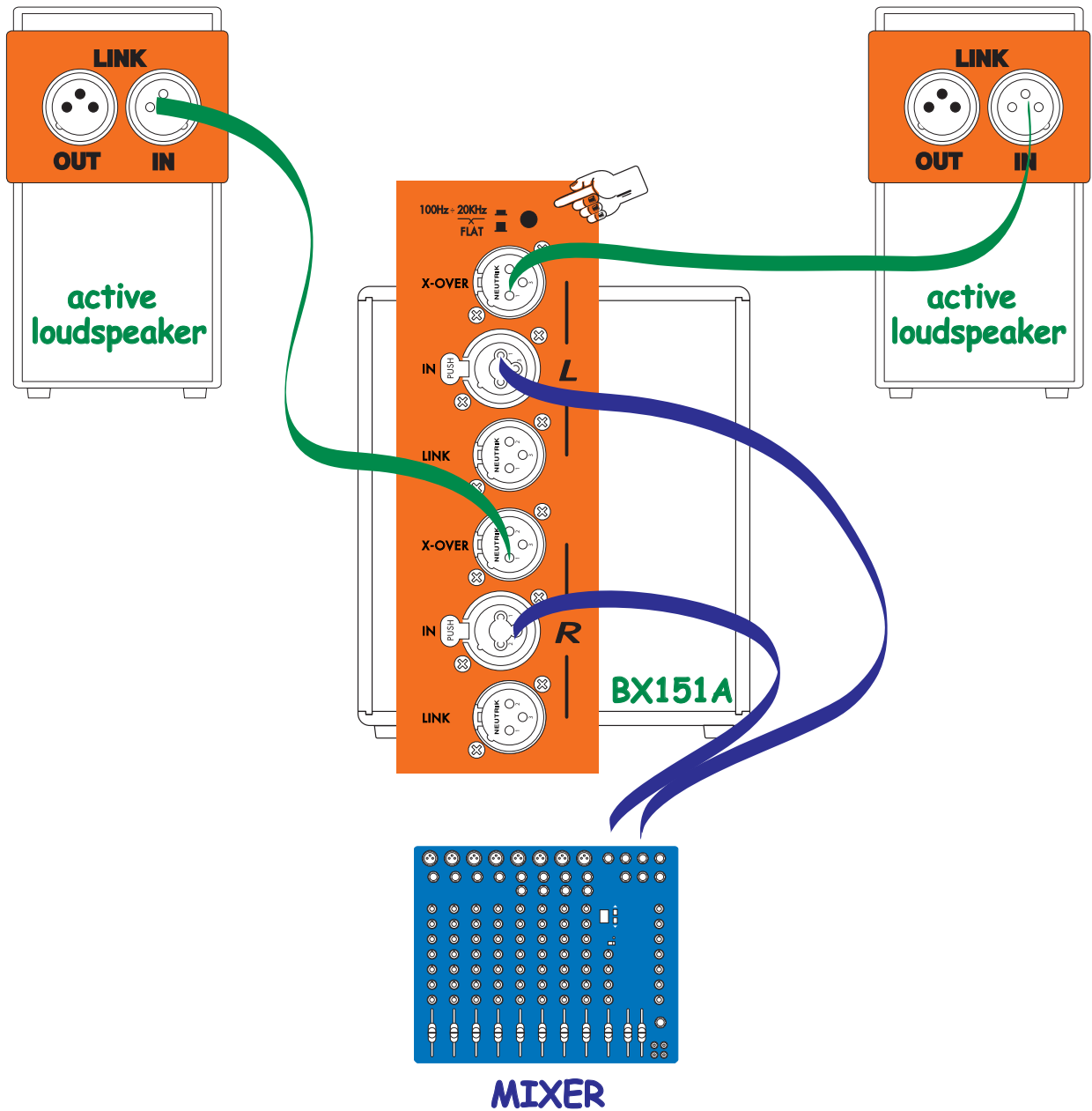
MIXER L/R OUTPUTS → BX151A 'R' INPUTS
 BX151A 'R' Link OUTPUTS → 'R' INPUTS of other BX151A



One BX151A + two active loudspeakers

always use balanced shielded cables

BX151A: button pushed X-OVER mode



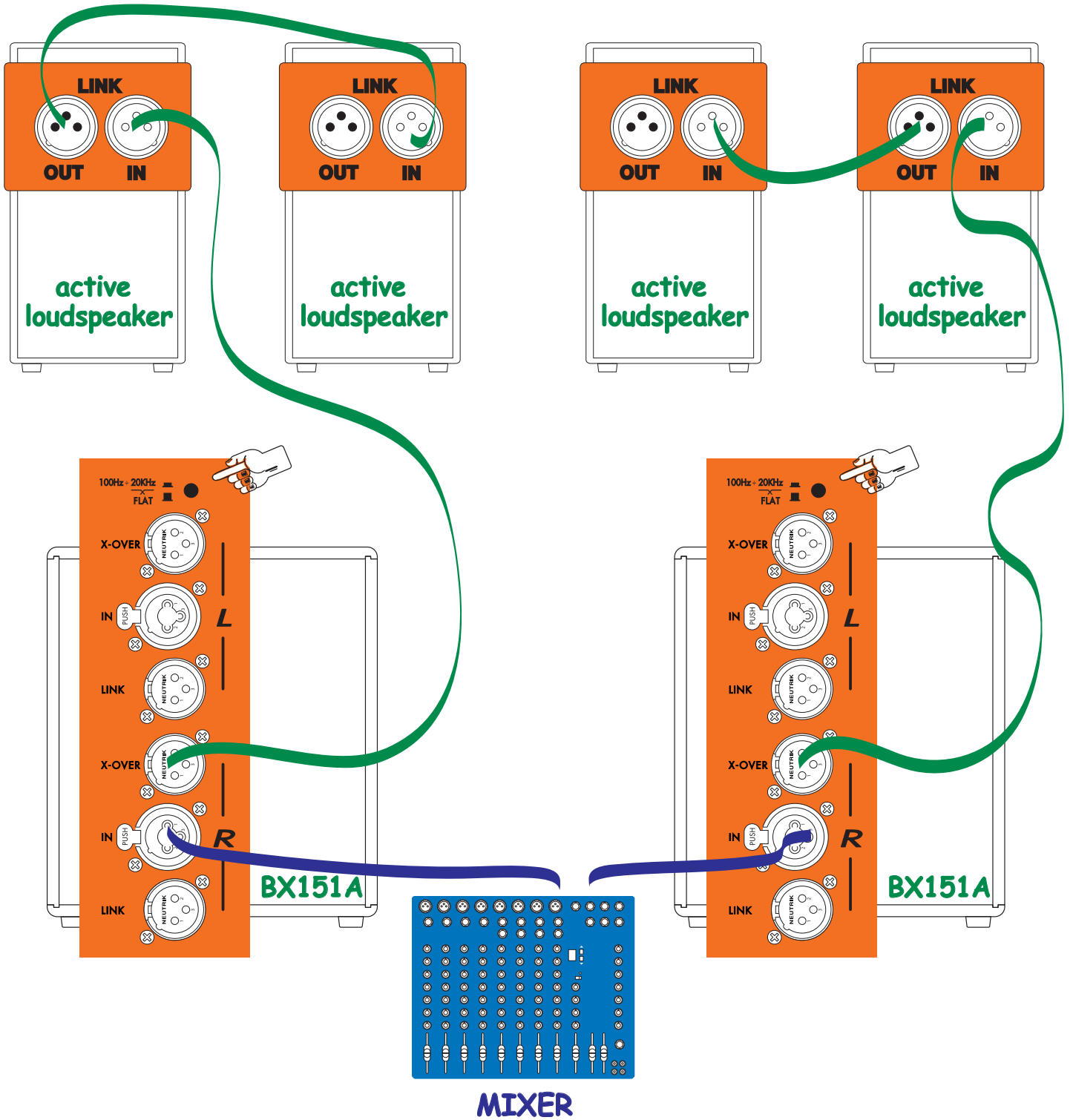
- MIXER L/R OUTPUTS → BX151A L/R INPUTS
- BX151A 'L' X-over OUTPUT → ACTIVE LOUDSPEAKER INPUT
- BX151A 'R' X-over OUTPUT → ACTIVE LOUDSPEAKER INPUT



Two BX151A + two or more active loudspeakers

always use balanced shielded cables

BX151A: button pushed X-OVER mode



MIXER L/R OUTPUTS → BX151A 'R' INPUTS

BX151A 'R' X-over OUTPUTS → ACTIVE LOUDSPEAKER INPUTS