



BX151A

processor controlled active subwoofer with built-in STEREO electronic cross-over

Limiter: led indicator

Volume: input level control. Allows to set the input sensitivity of the built-in power amplifier.

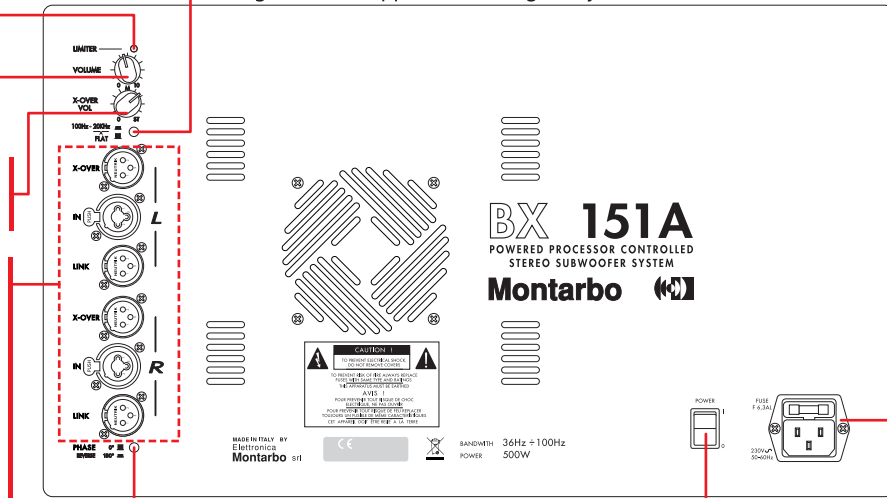
X-over vol: allows to set the volume of the speaker systems connected to the X-Over output

2 unbalanced XLR male sockets for the STEREO x-over output

2 balanced Neutrik Combo® sockets for the STEREO input

2 balanced XLR male sockets for the 'link' outputs allowing parallel connection of more BX151A or other self-powered systems

X-over/Flat switch: allows the satellite systems, connected to the stereo output, to receive a full-range signal or the upper audio range only

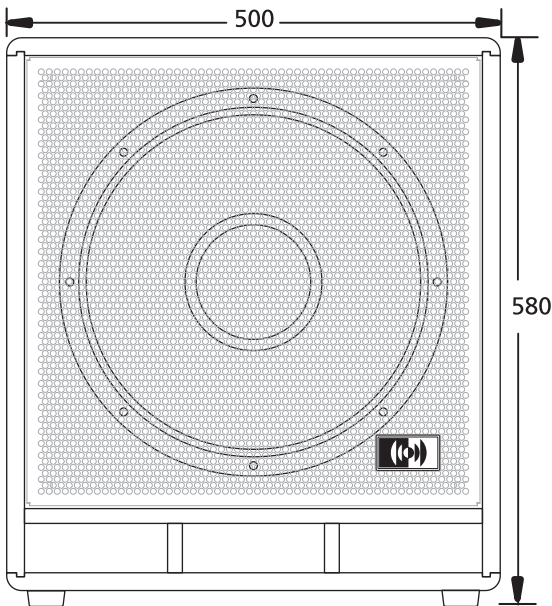


Phase reverse switch

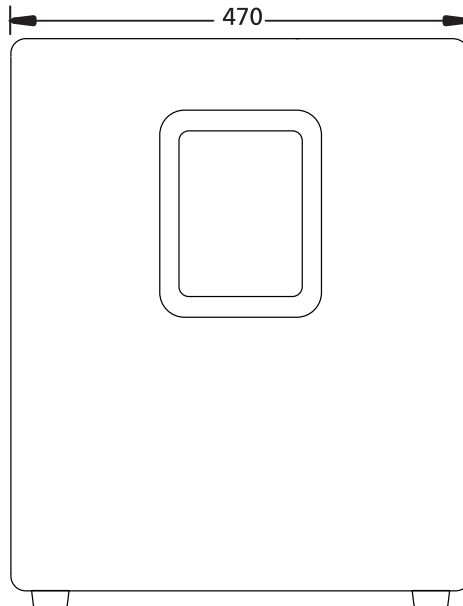
Mains power on/off switch

Mains power cord socket

Front view



Side view



ALL UNITS IN MILLIMETERS