

# W440P

2-way passive loudspeaker system

**Montarbo**  
Made in Italy



Simplicity is the core of the project for this loudspeaker enclosure with a unique and innovative design. Flexible, rapid and safe assembling in fixed and mobile installations thanks to the 6 fly points included in the cabinet shape and to the very low weight.

Ideal for use as main system for music performances, theatre, P.A., or as a stage monitor, W440A is an exceptionally accurate, highly versatile system, providing a rich and broad range of sound experiences in the most diverse situations.

## APPLICATIONS

Wide variety of applications: voice reinforcement system, stage monitor, theatrical sound reinforcement, night clubs, ballrooms, conference centers, presentations, houses of worship, audio-visual systems, small to medium/large-sized main sound reinforcement systems.

## FEATURES

- High sound pressure levels without distortion.
- Precise and detailed acoustic image.
- Power handling: 400 W / 8 Ohms
- 128 dB max SPL.
- 12" high efficiency woofer with 3" voice coil and lightweight neodymium magnet assembly, capable of delivering an exceptionally accurate and detailed high-impact sound.
- 1" compression driver with 2" voice coil.
- 90° x 70° constant directivity horn, integrated in the cabinet's molding.
- Monolithic cabinet, made from HD polyethylene by rotational molding.
- Unique and innovative design which includes 6 sturdy fly points (patented) completely integrated in the cabinet and designed to hang or angle the speaker in the air as required, using any type of hook available on the market.
- The cabinet's shape allows for both vertical and horizontal installation (for use as stage monitor).
- The ergonomic handles allow for easy transport and set-up.



# W440P

2-way passive loudspeaker system

**Montarbo**  
Made in Italy



## TECHNICAL SPECIFICATIONS

Enclosure	2-way; vented; flyable
Frequency response	45 Hz ÷ 20 kHz ±3dB
Sensitivity	100 dB SPL @ 1W/1m on axis
Max. SPL	128 dB
Power handling	400 W
Nominal impedance	8 ohms

• Components	custom designed
- bass	12" neodymium magnet high efficiency woofer (2.5" voice coil)
- mid/high	1" compression driver (2" voice coil) constant directivity horn (90°H x 70°V)

• Passive crossover	18 dB/oct
Crossover frequency	1600 Hz

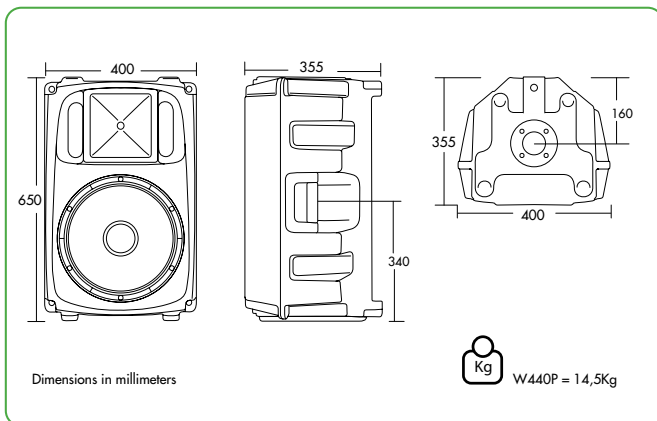
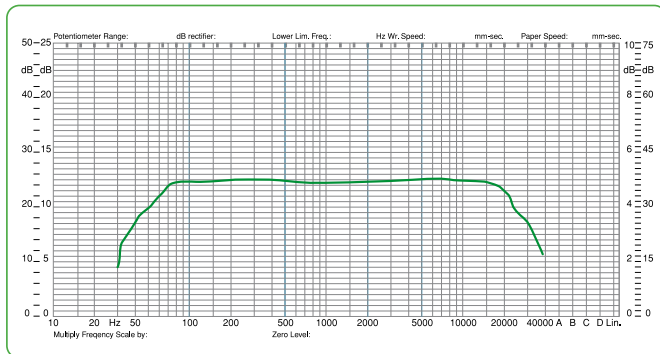
• Connectors	2 Jacks + 1 Neutrik Speakon® (in parallel)
--------------	--

## PHYSICAL SPECIFICATIONS

• Construction	multi-angled; HD polyethylene cabinet; steel protection grille
----------------	--

• Fittings	speaker stand adaptor; carrying handles; 6 moulded-in fly points
------------	--

• Dimensions / Weight	W 40 x H 65 x D 35.5 cm / 14.5 kg
-----------------------	-----------------------------------



# W440P

2-way passive loudspeaker system

**Montarbo**  
Made in Italy

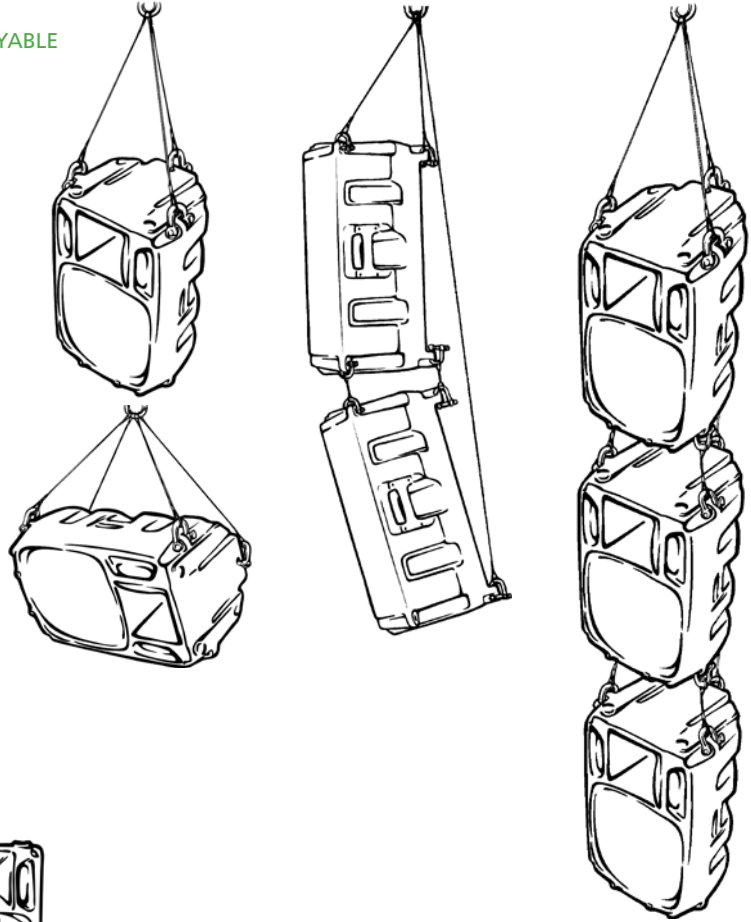


## INSTALLATION EXAMPLES

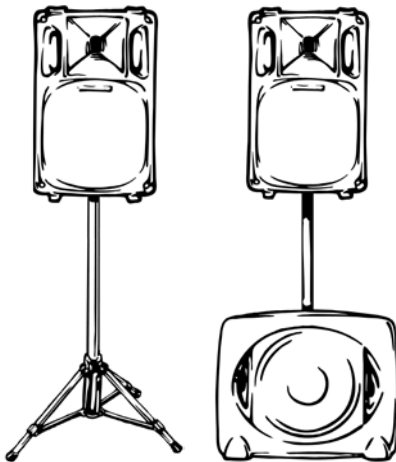
STACKABLE



FLYABLE



POLE MOUNTED



STAGE MONITOR

