

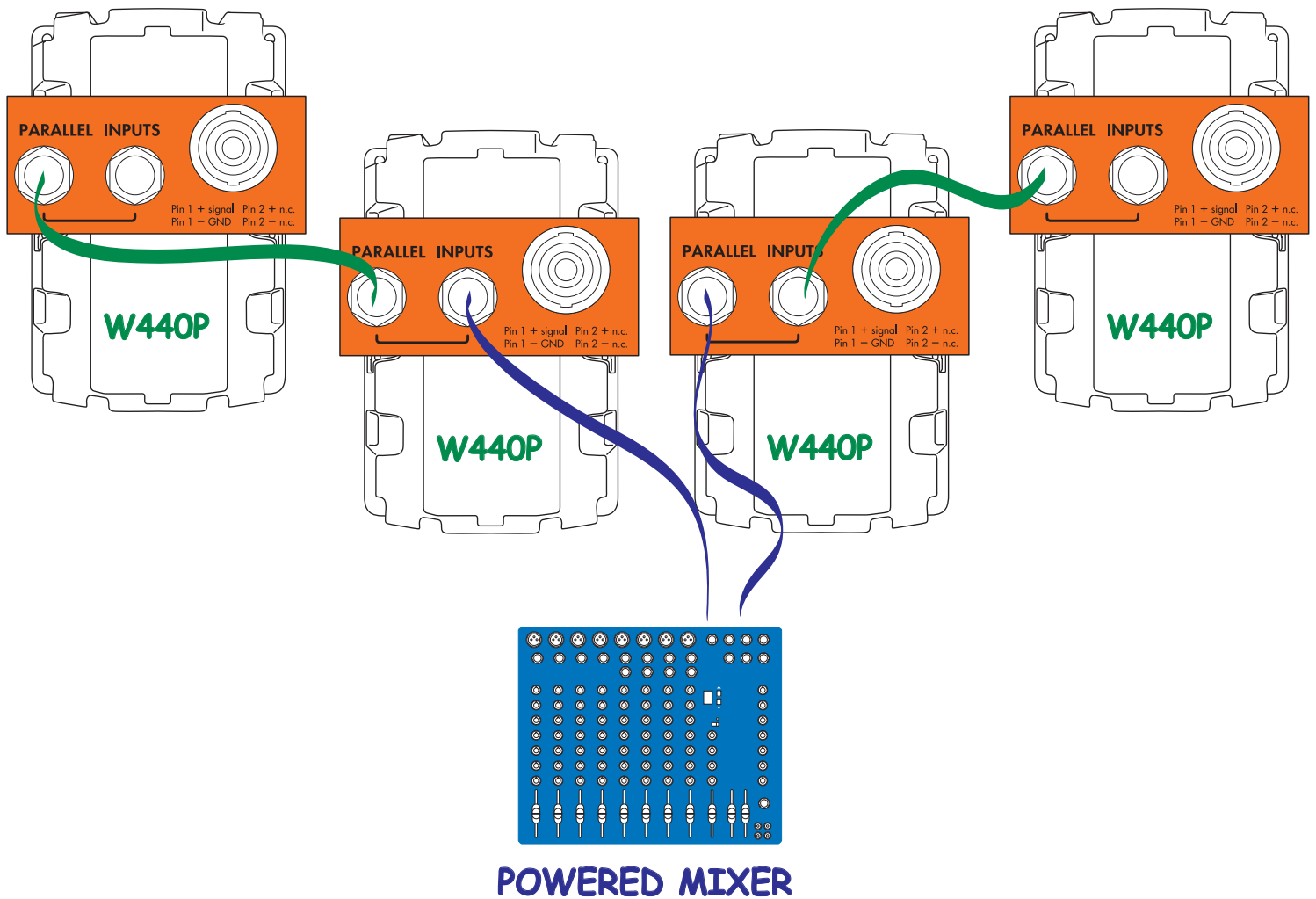


Parallel connection of two or more W440P

Use only loudspeaker cables (unscreened)

Use either Jack or Speakon connectors

All sockets may be used for input or output



MIXER L/R POWERED OUTPUTS → W440P INPUTS

W440P OUTPUTS → INPUTS of other W440P

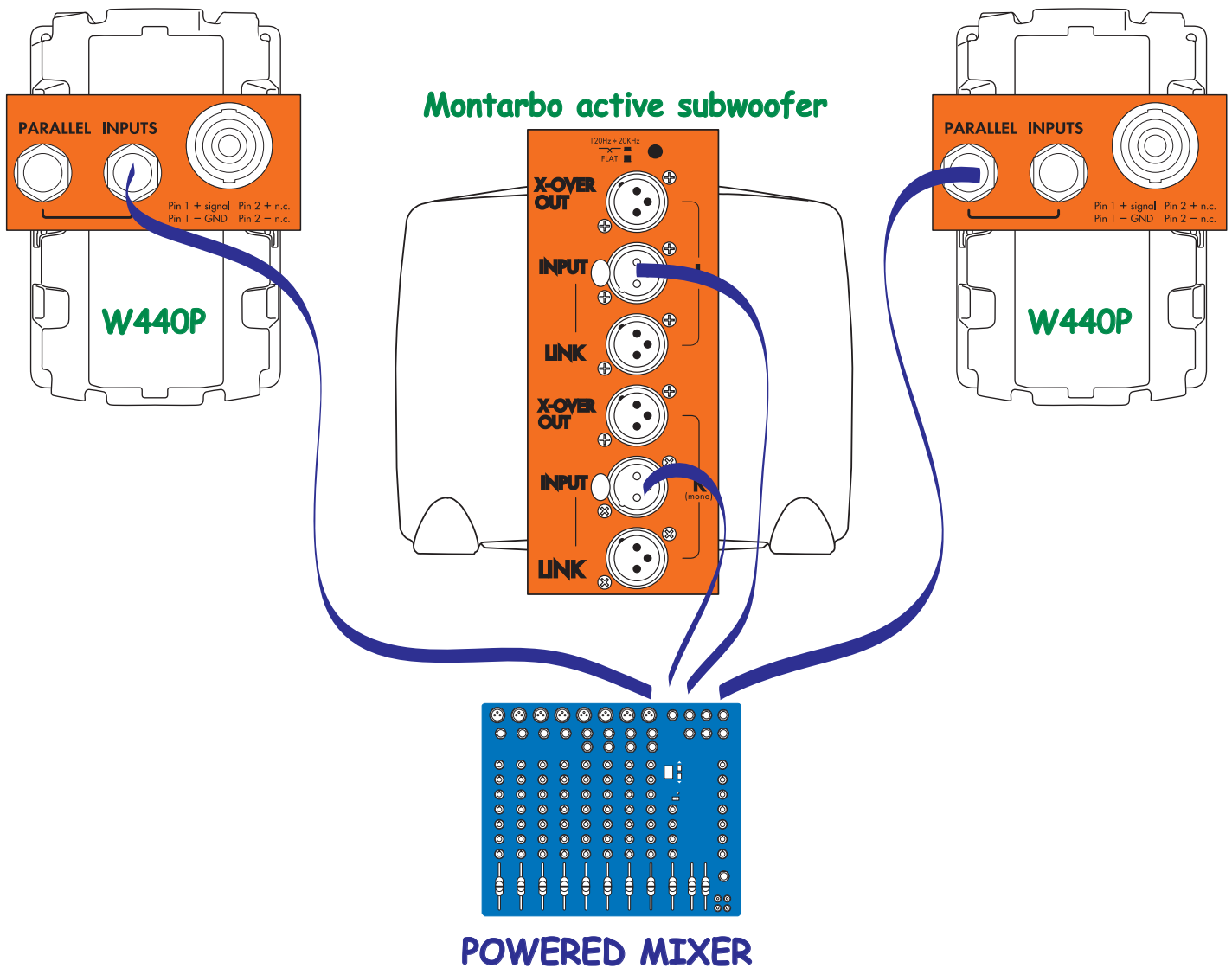


Two W440P + one active subwoofer

for the connection to the W440P use only loudspeaker cables (unscreened)

for the connection to the subwoofer always use balanced shielded cables

W440P: use either Jack or Speakon connectors



MIXER L/R POWERED OUTPUTS → W440P INPUTS

MIXER L/R NON POWERED OUTPUTS (insert out) → ACTIVE SUBWOOFER INPUTS