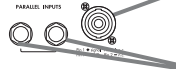
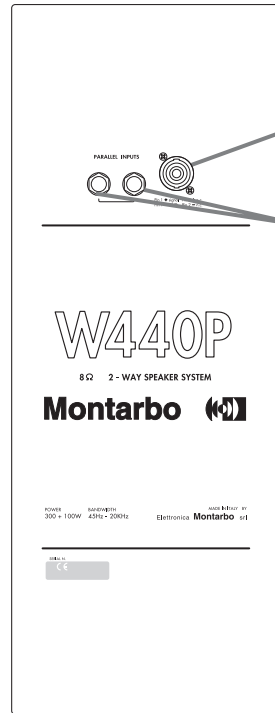




W440P

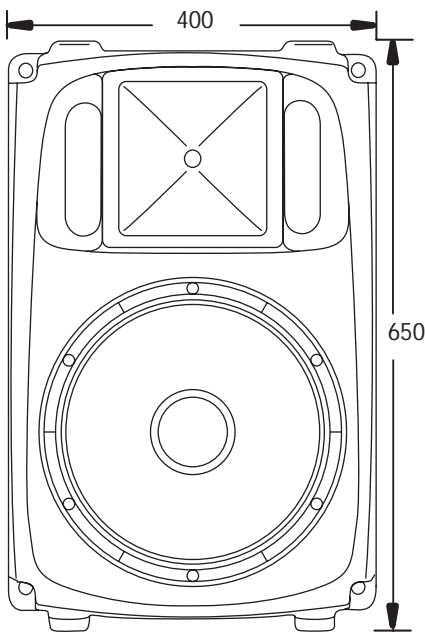
passive 2-way system



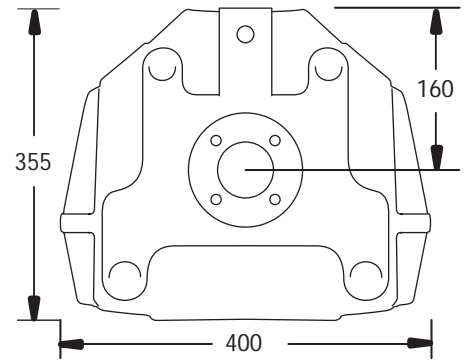
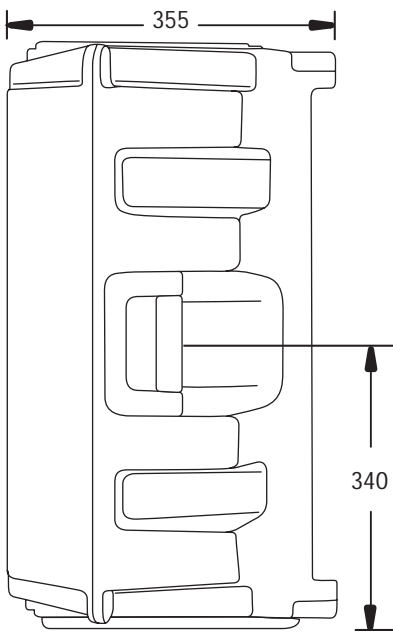
Speakon® connector: this is the better choice for critical installations, because the locking connector avoids accidental disconnection.

Input/link jack sockets (parallel connected): they are best suited for mobile (touring) applications or when it is expected to frequently disconnect the system.

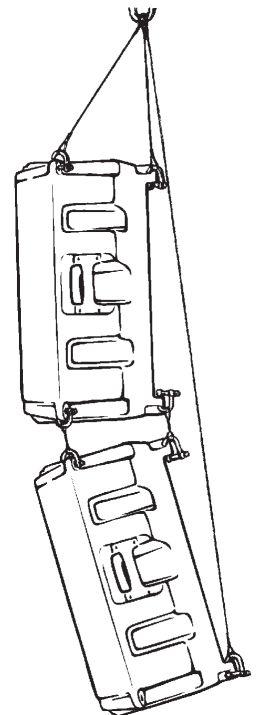
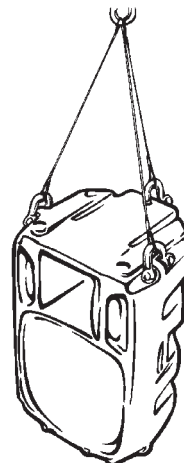
Front view



Side view



ALL UNITS IN MILLIMETERS



W440P may be easily flown thanks to the 6 fly points included in the cabinet shape (exclusive Montarbo design, patented).